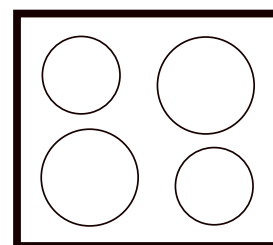


# Installation instructions

Important - Save for the local electrical inspector's use.

**EKS 304.1/604.2/804.2**

---




# For your information...

Be sure to read the information in this manual carefully before you install the cook top.

Please keep this manual in a safe place and pass it on to future owners for their information and safety.

## The following symbols are used in this operating manual:

 The warning triangle will alert you about possible health risks or things that can cause potential damage to your appliance.

 You'll find useful hints and information when you see this symbol.

# Warranty



This warranty is extended to the original purchaser and succeeding owners for products purchased for ordinary home use. It does not cover its use in commercial situation. Should the appliance be sold by the original purchaser during the warranty period, the new owner continued to be protected until the expiration date of the original purchaser's warranty period. Save your dated receipt or other evidence of the installation/occupancy date. Proof of original purchase date is needed to obtain service under warranty. The warranty applies even if the owner should move during the warranty period.

Küppersbusch does not assume any responsibility for consequential or incidental damages. This warranty provides you with certain legal rights. You may also have other rights which may vary from state to state.

## What Is Covered

For one full year from the date of the original purchase, we will provide parts, service and labor in your home to repair or replace any part of the cook top that fails because of a defect in materials or workmanship. This service is provided free of charge. All warranty service will be provided by an authorized technician during normal business hours.

## What Isn't Covered

- Service by an unauthorized agency will not be reimbursed. Likewise, the warranty doesn't cover any damage or repairs due to service performed by an unauthorized agency, or by the use of unauthorized parts.
- Service visits to teach you how to use the appliance.
- Service visits to correct the installation. You are responsible for providing electrical wiring and other connecting facilities.
- Reset circuit breakers or replace home fuses.
- Damage resulting from accident, alteration, misuse, improper installation, abuse or installation not in accordance with local electrical codes, or improper storage of the appliance.
- Repairs due to other than normal household use.

# Disposing of the packaging and the old appliance

Be sure to dispose of the transport packaging properly. Disposal should not have a negative impact on the environment. Recycling the packaging saves raw materials and reduces the amount of waste.

Be sure to dispose of your old appliance properly, as well. Even if it can no longer be used, it still contains useful materials. Before discarding an old appliance, disconnect the power cord and remove the door to prevent it from becoming a hazard.




# Contents

<b>Safety instructions</b> .....	<b>3</b>
<b>General</b> .....	<b>3</b>
<b>Installation conditions</b> .....	<b>3</b>
<b>Dimensions and distances</b> .....	<b>3</b>
<b>Installation dimensions</b> .....	<b>4</b>
Installation depth	
Several cooktops side by side	
Ventilation opening: For models EKS 604.2 and EKS 804.2 only	
<b>Electrical connection</b> .....	<b>6</b>
<b>Installation</b> .....	<b>6</b>
<b>Special case:</b>	
<b>Installation in a stone countertop</b> .....	<b>7</b>

For technical information and/or replacement parts, please contact the **Küppersbusch Customer Care line** at **1-800-459-0844**

For the most efficient assistance, please have the Model and Serial numbers for the appliance available.

## The following symbols are used in this installation manual:

-  The warning triangle will alert you about possible health risks or things that can cause potential damage to your appliance.
-  If the cooktop has an oven underneath it, be sure it's a KÜPPERSBUSCH oven. Only KÜPPERSBUSCH built-in ovens have been designed and tested for installation below a KÜPPERBUSCH built-in cooktop. No other ovens may be used below the cooktop.
-  You'll find useful hints and information when you see this symbol.

## Safety instructions

- Turn off the power source before installing the cooking surface.
- Do not operate the appliance until it has been properly installed within cabinetry or into an opening in the countertop!
- Only qualified personnel should perform installations and repairs on electrical appliances. Do not repair or replace any part of the appliance yourself unless specifically recommended in this manual. Don't put your safety at risk.
- The glass ceramic surface is very tough and can easily withstand light to medium blows and loads distributed over large areas. You should avoid dropping concentrated loads like spice bottles onto the surface. The impact of such items can damage the cooking surface.
- If the cooking surface becomes fractured or cracked, quit using it immediately. Disconnect the power source and call Customer Service.
- The connecting cable must not come in contact with the hot cooking surface.

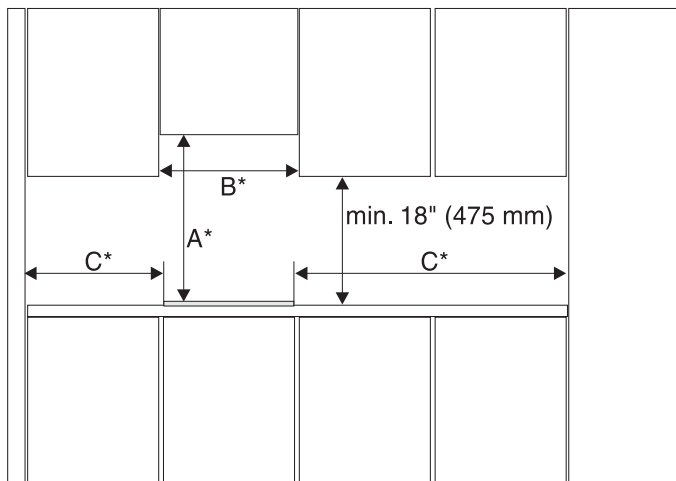
## General

- To remove the glass ceramic surface, lift it laterally – never lift it by the front panel!
- Do not use a screw driver to lift the appliance out of the opening or you could damage the frame of the appliance. Instead, press the appliance out from the bottom of the opening in the countertop or cabinetry.

## Installation conditions

- Make sure the plastic finish or the veneer of the built-in kitchen furniture has a heat-resistant adhesive (100 °C/210 °F).
- The countertop must be perfectly horizontal and the opening for the appliance must be cleanly cut.
- Make sure there aren't any cross bars underneath the cut-out for the appliance. Make any necessary adjustments.
- Each time the appliance is removed from the countertop, be sure to replace the seals.
- Make sure there is an oven or a shelf installed under the cooktop.

## Dimensions and distances



**Concerning A\*:** A = 30 inches minimum clearance between the top of the cooking surface and the bottom of an unprotected wood or metal cabinet or A = 24 inches minimum when bottom of wood or metal cabinet is protected by not less than 1/4-inch-thick flame-retardant millboard covered with no less than No. 28 MSG sheet steel, 0.015-inch-thick stainless steel, 0.024-inch-thick aluminium, or 0.020-inch-thick copper.

Hoods above the cook top should be at least 650 mm (26") away from the cook top.

**Concerning B\*:** Minimum distance corresponds to the width of the appliance.

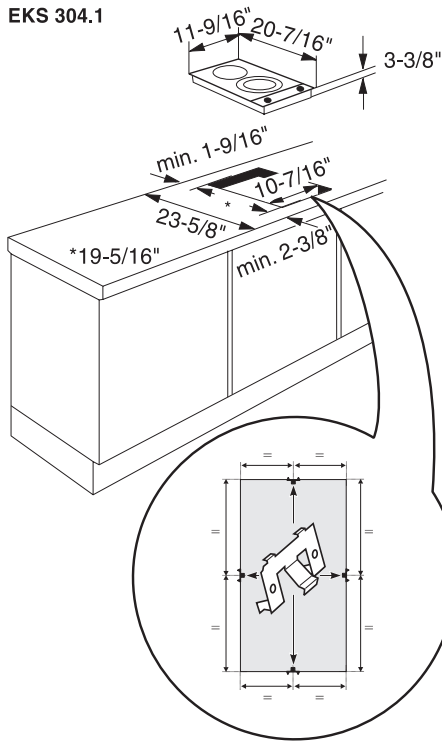
To eliminate the risk of burns or fire by reaching over heated surface units, do not locate cabinet storage space above the surface units. If cabinet storage must be provided, the risk can be reduced by installing a range hood that projects horizontally a minimum of 5 inches beyond the bottom of the cabinets.

**Concerning C\*:** This appliance can be mounted with two sides to a wall or a cupboard side with a distance of at least 40 mm (1-9/16"). The third side may only be positioned next to an appliance of equal height.

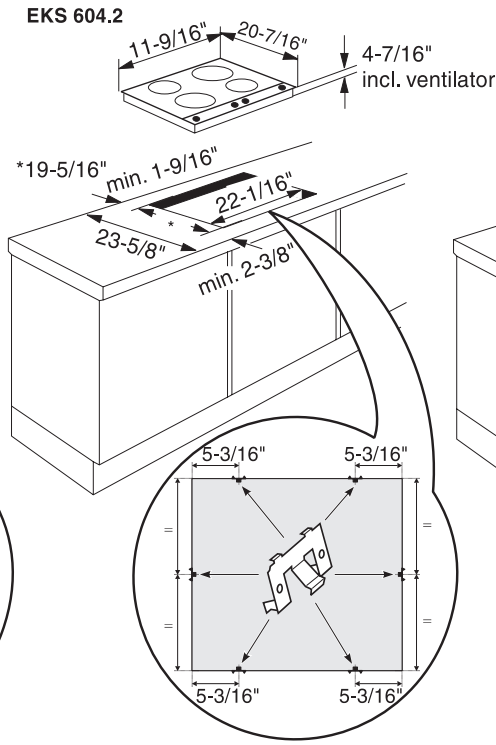
We recommend a horizontal distance between the appliance and mounted cupboards of at least 300 mm (12") for ergonomic reasons.

# Installation dimensions

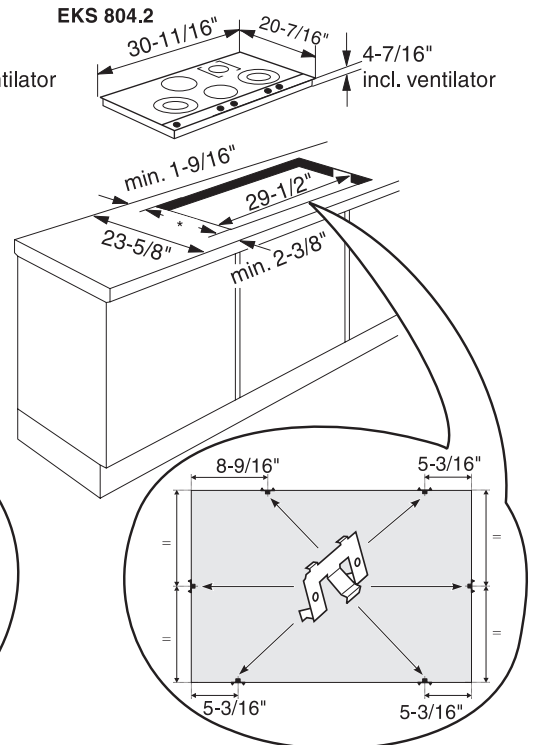
EKS 304.1



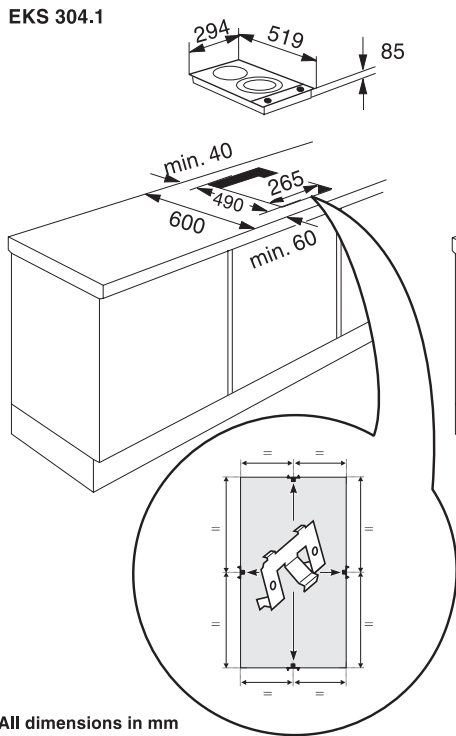
EKS 604.2



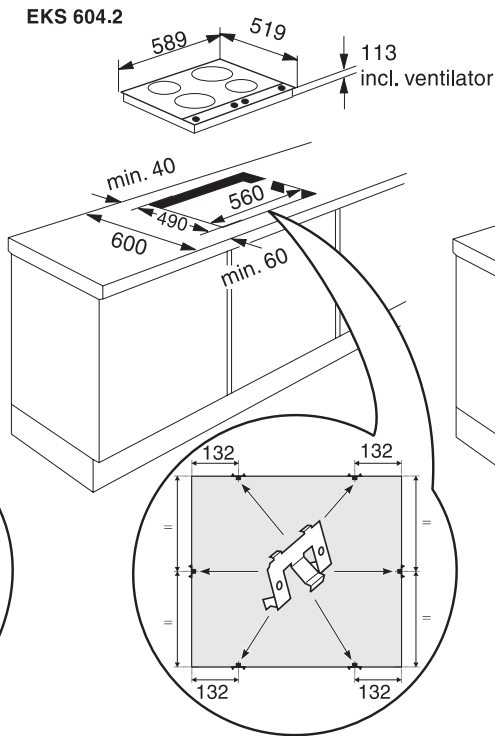
EKS 804.2



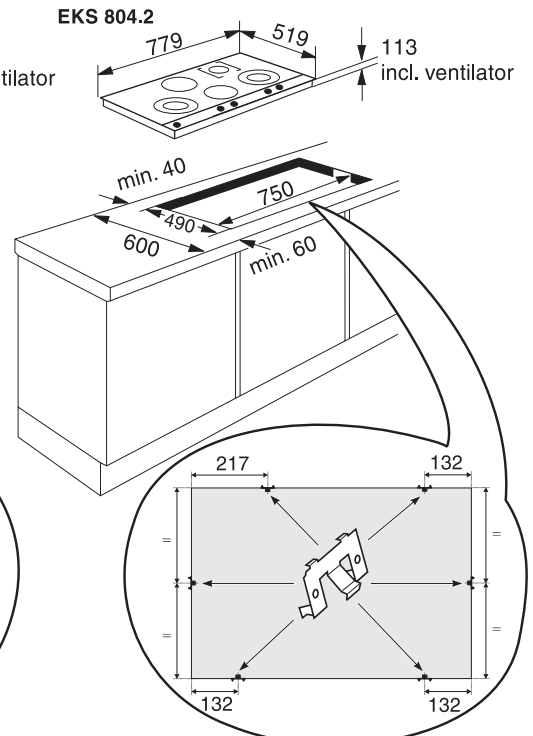
EKS 304.1



EKS 604.2



EKS 804.2

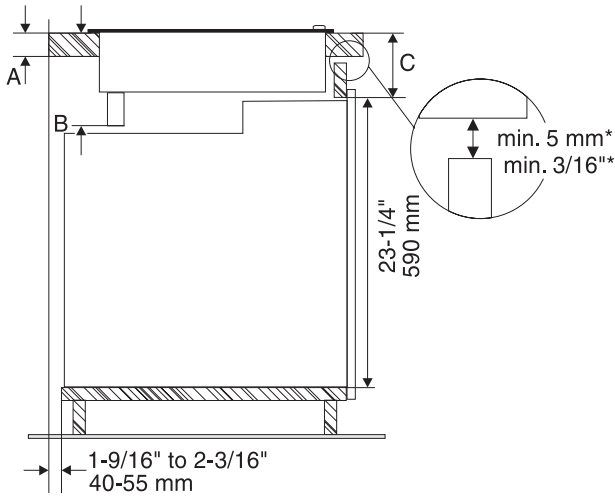


All dimensions in mm

## Installation depth

☞ The model EKS has an installation depth "B", which means the cooking surface can be mounted above an oven, provided you follow the installation dimensions below.

### Above the oven EEB 6500.0 or EEB 6600.0:

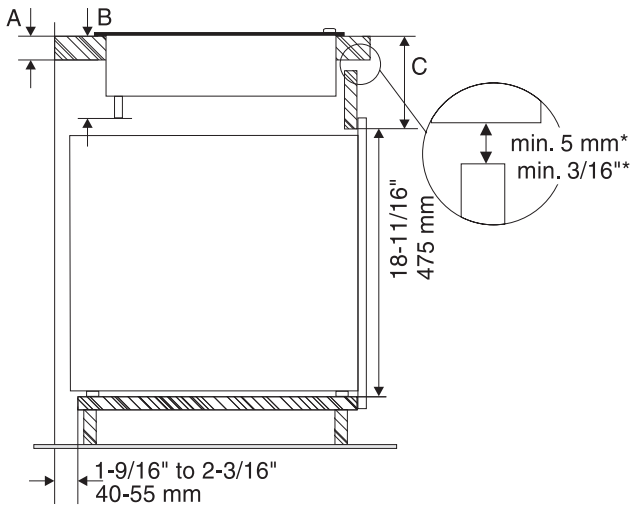


Model	"A"	"B"	"C"
EKS 304.1*	1-1/8 to 2"	3-3/8"	≥ 2-9/16"
	30 to 50 mm	85 mm	≥ 65 mm
EKS 604.2	1-1/8 to 2"	4-7/16"	≥ 3-5/8"
EKS 804.2	30 to 50 mm	113 mm	≥ 92 mm

☞ \* The gap between the countertop and the front panel is not necessary for the model EKS 304.1.

Locate the opening for cook top ventilation directly below the countertop. It will be less visible there than between the oven and the front panel.

### Above the oven EEB 9600.0 or above a shelf:



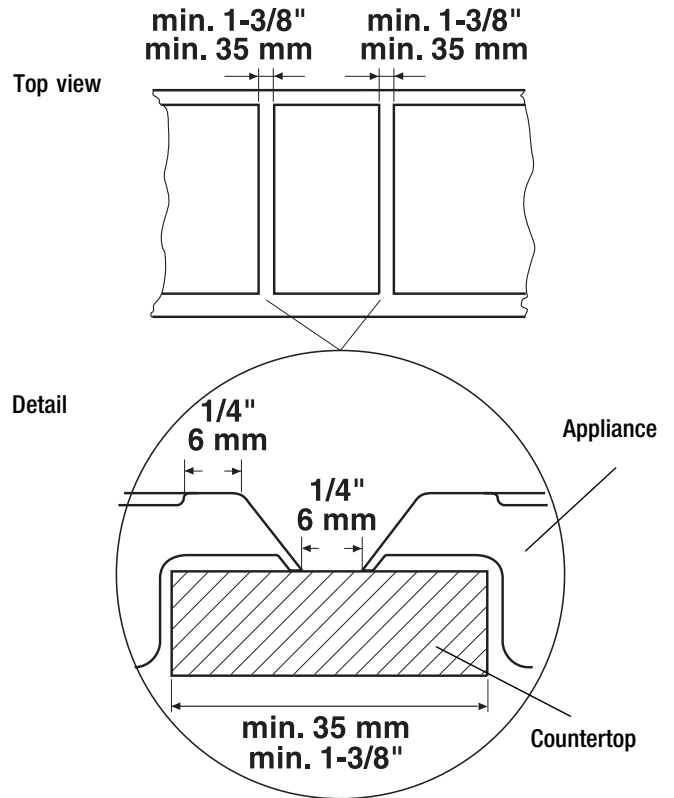
Model	"A"	"B"	"C"
EKS 304.1*	1-1/8 to 2"	3-3/8"	≥ 3-3/8"
	30 to 50 mm	85 mm	≥ 85 mm
EKS 604.2	1-1/8 to 2"	4-7/16"	≥ 4-7/16"
EKS 804.2	30 to 50 mm	113 mm	≥ 113 mm

☞ \* The gap between the countertop and the front panel is not necessary for the model EKS 304.1.

Locate the opening for cook top ventilation directly below the countertop. It will be less visible there than between the oven and the front panel.

## Several cooktops side by side

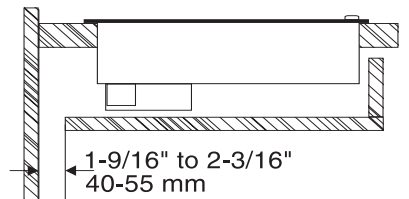
When installing several cooktops side by side, please observe the minimum distances between the countertop openings as shown in the drawings:



## Ventilation opening: For models EKS 604.2 and EKS 804.2 only

If there is a KÜPPERSBUSCH built-in oven installed below the cooktop, the installation conditions for the oven will provide the cooktop ventilation, too.

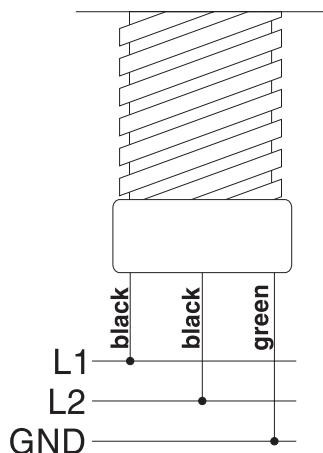
If there isn't an oven installed below the cooktop, you must install a shelf there. Make sure there is no back panel in the installation space of the cooktop above the shelf. If this isn't possible, cut out an opening of 40 - 55 mm (1-9/16" to 2-3/16") in the bottom shelf.



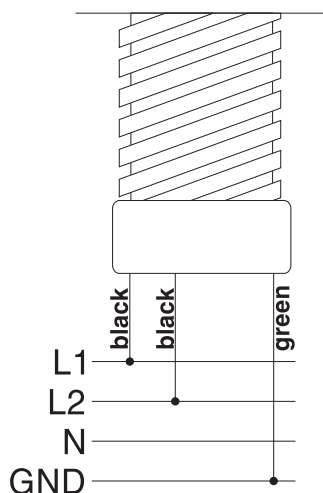
# Electrical connection

- Observe all guidelines and regulations from your local electric company.
- You should not be able to touch insulated components when operating the appliance.
- The power supply should be a 240 volts system, 2-wire with ground, or a 120/240 volts system, 3-wire with ground.

## Electrical diagram for a 240 volts system, 2-wire with ground:



## Electrical diagram for a 120 / 240 volts system, 3-wire with ground:



- Be sure to install an appropriate conduit box (not furnished) to connect the cook top. Only a professional electrician or certified technician should install a conduit-box or replace the connection cable.
- Don't shorten the conduit to facilitate service! The conduit should be routed to permit the removal of the cook top.
- The conduit-box must be protected by a circuit breaker or fuse, having amperage as noted in this chapter.
- The conduit-box can be mounted under the countertop below the cooking surface or in a side cupboard in the wall. Do not mount it above the cooking surface!

Connection	to a conduit-box (not supplied accessory!)		
Total rating	EKS 304.1	2.9 kW, fuse current:	15 A
	EKS 604.2	7.2 kW, fuse current:	30 A
	EKS 804.1	8.4 kW, fuse current:	40 A
Electrical connection	240 V, 60 Hz		

# Installation

- ☞ When installing stone countertops, the cooking surface can't be fastened with clips. See "Special case: Installation in a stone countertop" on page 7.

## Cutting the opening space

- First, neatly cut out the countertop opening. Be sure to use the proper measurements between the opening to the wall for the front, back and side!
- Be sure there is an opening of min. 5 mm between the countertop and the front panel! (See "Dimensions and distances".)

## Seal the cut sections

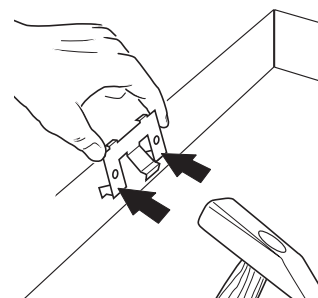
- Seal the cut areas with a water-repellent protection paint.

## Checking or replacing the sealing

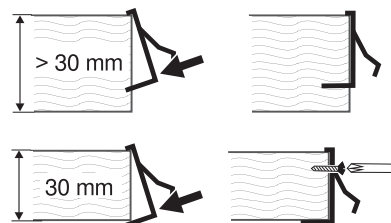
- Make sure the seal fits well and has no gaps.
- **With uneven worktops** (tile, etc.) be sure to remove the sealing strip and apply a temperature resistant and elastic sealant. Such sealing compound can be purchased as KÜPPERBUSCH spare part No. 535569.
- Clean the surfaces according to the instructions on the cartridge, apply the sealant, and press the appliance into the opening.
- Cut away all excess sealant and then clean the sealed surface immediately with water.

## Drive in the clips

- Align the clips carefully and use a hammer to drive them in. Refer to the position of the clips on page 4 under "Installation dimensions".



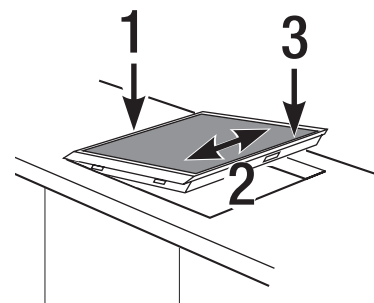
Countertops with more than 30 mm (1-1/8") thickness:



With countertops with 30 mm (1-1/8") thickness, use two screws to secure the clips. (Screws not included).

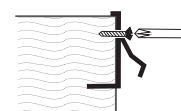
## Inserting the cooking surface

- Position the cooking surface on the left side (1), align it (2) and insert the clips (3). Be careful not to pinch the connecting cable!



- ⚠ The cooking surface must rest evenly in the opening. If the strain of the cooking surface is too strong, the appliance can crack while heating up.

- ☞ If the cooking surface is not fixed tightly in the opening, it's too big. In this situation, screw the clips down with two screws each (not supplied) to raise the spring tension.



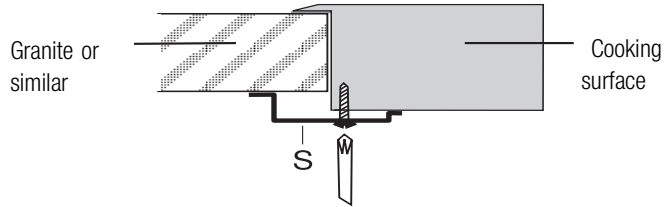
## Connecting the connecting cable to the conduit-box

- Connect the cooking surface to the conduit-box.
- Pull the excess cable out of the installation area.

## Special case: Installation in a stone countertop

If the countertop is made of marble, granite or other similar materials, the cooking surface has to be fixed from the bottom. Clips are not needed.

- Unscrew the screws out of the bottom of the cooking surface as seen below.
- Insert the cooking surface into the opening.
- Screw down the cooking surface with the tension elements starting from the bottom.



**KÜPPERSBUSCH**

112 N. East Street, Suite C

Tampa, Florida 33602

Telephone: 813-229-7096 Fax: 813-229-0982

**Customer Care line: 1 - 800 - 459 - 0844**

[www.kuppersbuschusa.com](http://www.kuppersbuschusa.com)

KÜPPERSBUSCH is a brand of Teka USA, Inc.

**Küppersbusch**

THE HEART OF A GOOD KITCHEN