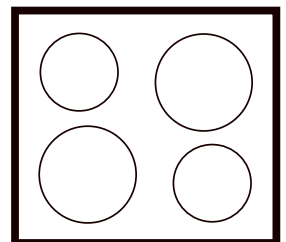


Installation instructions

Important - Save for the local electrical inspector's use.

KC 906.2



For your information...

Be sure to read the information in this manual carefully before you install the cook top.

Please keep this manual in a safe place and pass it on to future owners for their information and safety.

The following symbols are used in this operating manual



The warning triangle will alert you about possible health risks or things that can cause potential damage to your appliance.

You'll find useful hints and information when you see this symbol.

Warranty

This warranty is extended to the original purchaser and succeeding owners for products purchased for ordinary home use. It does not cover its use in commercial situation. Should the appliance be sold by the original purchaser during the warranty period, the new owner continued to be protected until the expiration date of the original purchaser's warranty period. Save your dated receipt or other evidence of the installation/occupancy date. Proof of original purchase date is needed to obtain service under warranty. The warranty applies even if the owner should move during the warranty period.

Küppersbusch does not assume any responsibility for consequential or incidental damages. This warranty provides you with certain legal rights. You may also have other rights which may vary from state to state.

What Is Covered

For one full year from the date of the original purchase, we will provide parts, service and labor in your home to repair or replace any part of the cook top that fails because of a defect in materials or workmanship. This service is provided free of charge. All warranty service will be provided by an authorized technician during normal business hours.

What Isn't Covered

- Service by an unauthorized agency will not be reimbursed. Likewise, the warranty doesn't cover any damage or repairs due to service performed by an unauthorized agency, or by the use of unauthorized parts.
- Service visits to teach you how to use the appliance.
- Service visits to correct the installation. You are responsible for providing electrical wiring and other connecting facilities.
- Reset circuit breakers or replace home fuses.
- Damage resulting from accident, alteration, misuse, improper installation, abuse or installation not in accordance with local electrical codes, or improper storage of the appliance.
- Repairs due to other than normal household use.

Disposing of the packaging and the old appliance

Be sure to dispose of the transport packaging properly. Disposal should not have a negative impact on the environment. Recycling the packaging saves raw materials and reduces the amount of waste.

Be sure to dispose of your old appliance properly, as well. Even if it can no longer be used, it still contains useful materials. Before discarding an old appliance, disconnect the power cord and remove the door to prevent it from becoming a hazard.


Contents

Safety instructions	3
Installation conditions	3
Installation dimensions	3
Distances	3
Installation above the oven EEB 9600.0	4
Electrical connection	4
Installing the cooking center	5
Installing accessories	5
Installing the acc. no. 451 and 452	
Installing the acc. no. 439	
Installing the acc. no. 442	

For technical information and/or replacement parts, please contact the **Küppersbusch Customer Care line** at **1-800-459-0844**

For the most efficient assistance, please have the Model and Serial numbers for the appliance available.

The following symbols are used in this installation manual:

 The warning triangle will alert you about possible health risks or things that can cause potential damage to your appliance.

 You'll find useful hints and information when you see this symbol.

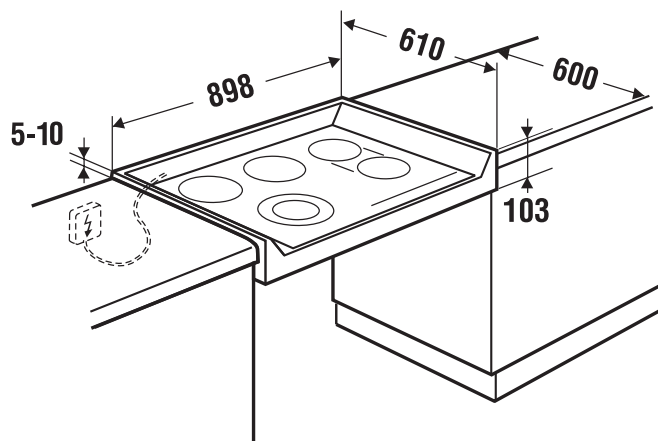
Safety instructions

- Turn off the power source before installing the cooking surface.
- Don't operate the appliance until it has been properly installed within cabinetry or into an opening in the countertop!
- Only qualified personnel should perform installations and repairs on electrical appliances. Do not repair or replace any part of the appliance unless specifically recommended in this manual. Do not put your safety at risk.
- The glass ceramic surface is very tough and can easily withstand light to medium blows and loads distributed over large areas. You should avoid dropping concentrated loads like spice bottles onto the surface. The impact of such items can damage the cooking surface.
- If the cooking surface becomes fractured or cracked, quit using it immediately. Disconnect the power source and call Customer Service.
- The connecting cable must not come in contact with the hot cooking surface.
- If the cooking center is not installed properly, there is a risk of tipping it over! Be sure it is fastened to the supporting rails.
- **WARNING!** The adjacent side walls must be secured so the installed cooking center can't tilt.

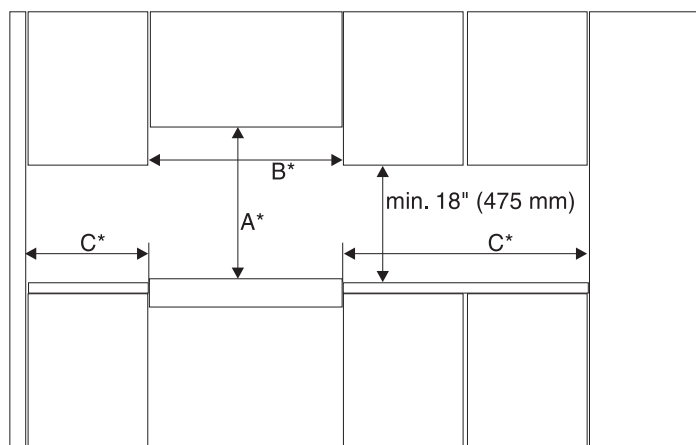
Installation conditions

- Make sure the plastic finish or the veneer of the built-in kitchen furniture has a heat-resistant adhesive (100 °C/210 °F).
- The appliance must be perfectly horizontal.
- The cooking center must be installed between two side cabinets.
- Make sure all components surrounding the oven can resist temperatures of at least 100 °C/210 °F. These include varnishes, edge bands, plastic surfaces, adhesives and paints. The adjacent cabinet fronts should be able to resist temperatures up to 70 °C/160 °F.
- To eliminate the risk of burns or fire by reaching above heated surface units, do not put cabinet storage space above the surface units. If you do decide to put cabinet storage above the surface units, install a range hood that projects at least 5" horizontally beyond the bottom of the cabinets.

Installation dimensions



Distances



Concerning A*: A = 30" minimum clearance between the top of the cooking surface and the bottom of an unprotected wood or metal cabinet or A = 24" minimum when bottom of wood or metal cabinet is protected by not less than 1/4-inch-thick flame-retardant millboard covered with not less than No. 28 MSG sheet steel, 0.015-inch-thick stainless steel, 0.024-inch-thick aluminium, or 0.020-inch-thick copper.

Hoods above the cook top should be at least 650 mm (26") above the cook top.

Concerning B*: Minimum distance corresponds to the width of the appliance.

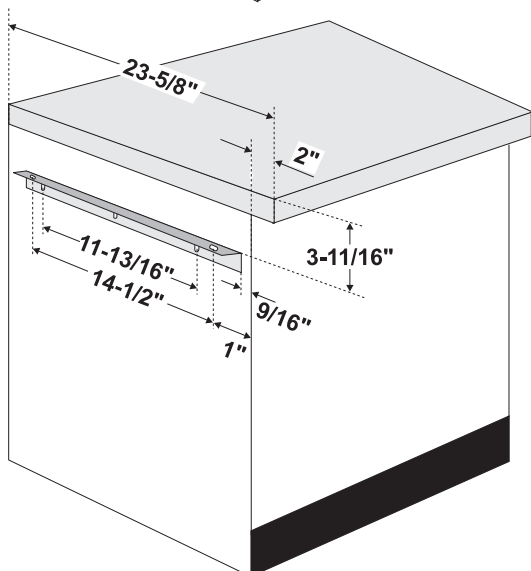
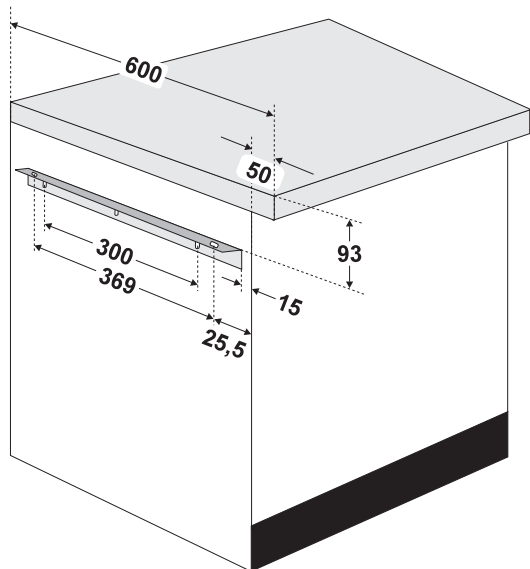
To eliminate the risk of burns or fire by reaching over heated surface units, do not put cabinet storage space above the surface units. If you do decide to put cabinet storage above the surface units, install a range hood that projects at least 5" horizontally beyond the bottom of the cabinets.

Concerning C*: This appliance can be mounted with two sides to a wall or the side of a cabinet with a distance of at least 40 mm (1-9/16"). The third side may only be positioned next to an appliance of equal height.

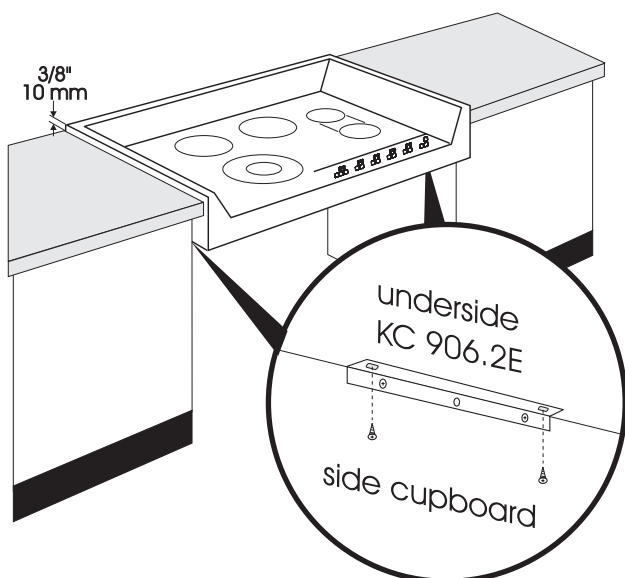
There should be a horizontal distance between the appliance and mounted cupboards of at least 300 mm (12") for ergonomic reasons.

Installing the cooking center

- Using 4.2 x16 mm screws, install the supporting rails in horizontal position on the right side. Install the supporting rails on the left onto the sides of the cabinets, using the following measurements.



- Connect the conduit to the conduit box.
- Fit the appliance in.
- Fasten the appliance onto the supporting rails using 4.2 x 7 mm screws.



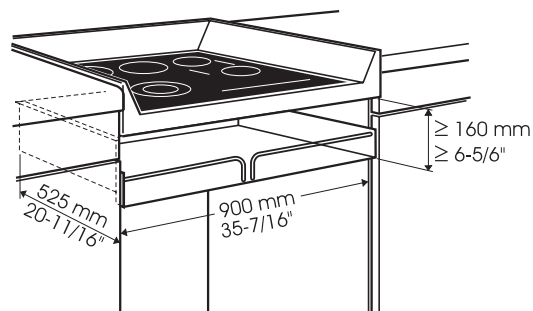
- Use silicon to seal the appliance on the back and on the two sides.

Installing accessories

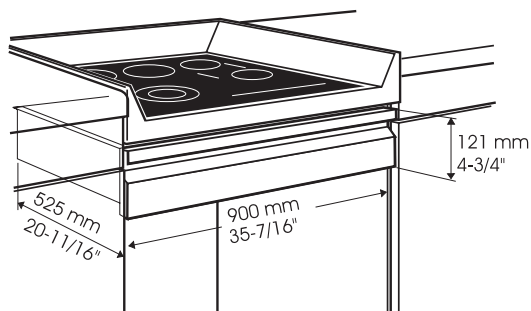
Installing the acc. no. 451 and 452

Dimensions of the drawers:

Model acc.
no. 451:

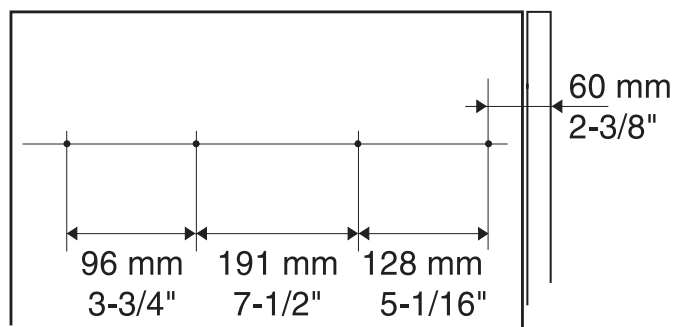


Model acc.
no 452:

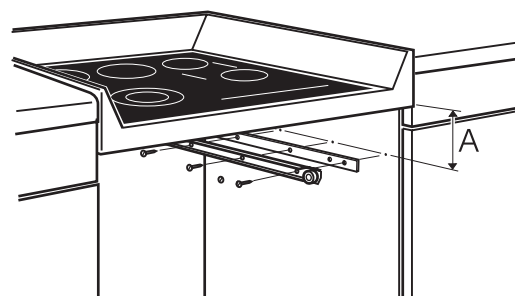


For both models:

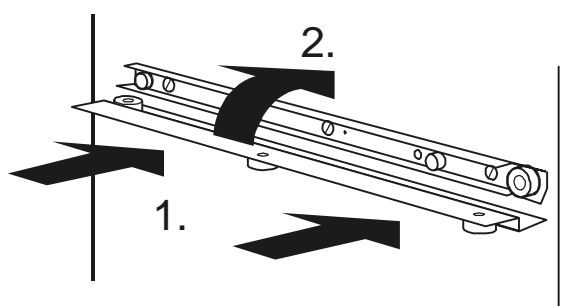
Measurements for the screws of the supporting rails for the drawers



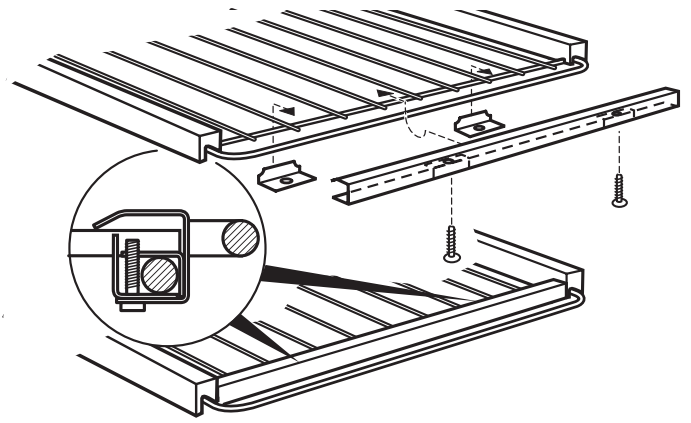
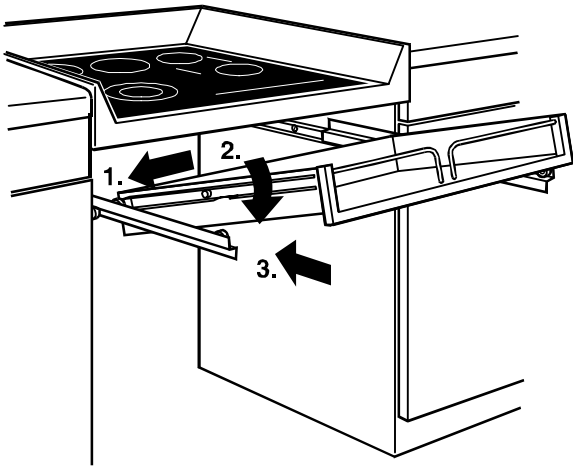
- Screw on the supporting rails:



For model 451 A ≥ 129 mm (≥ 5-1/16")
for model 452 A ≥ 90 mm (≥ 3-9/16")

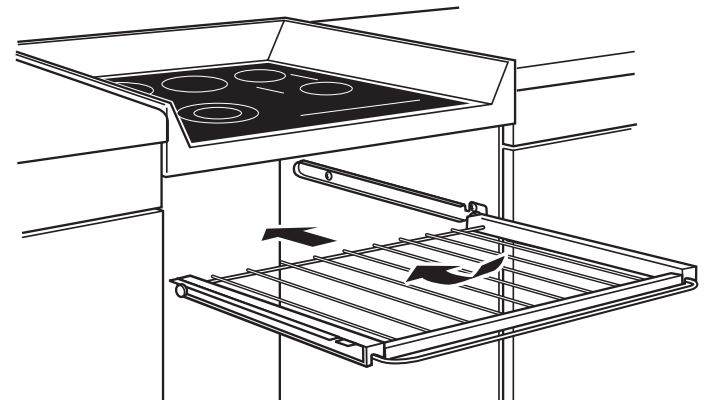
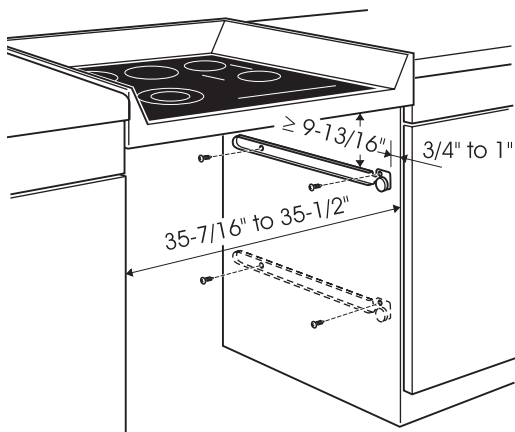
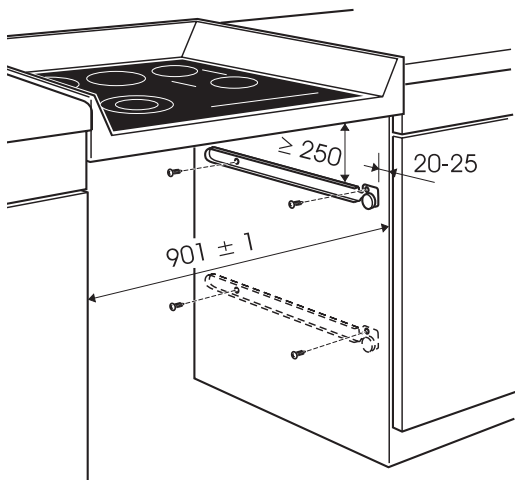


– Insert the drawer in the supporting rails.



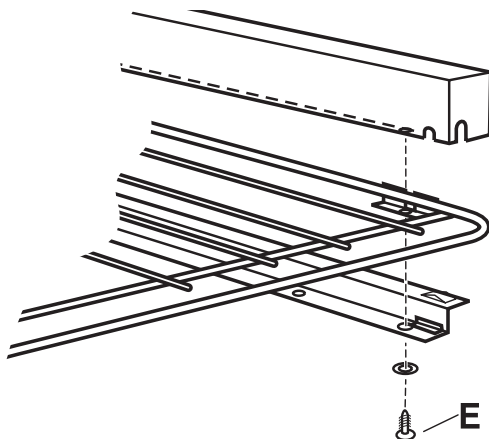
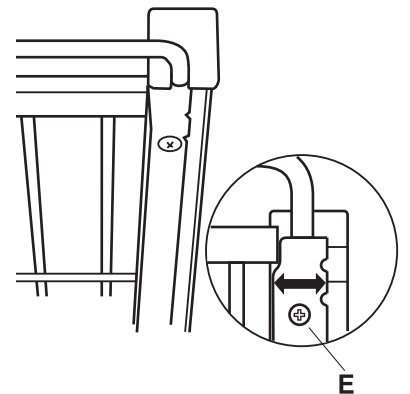
Installing the acc. no. 439

– Screw on the supporting rails.



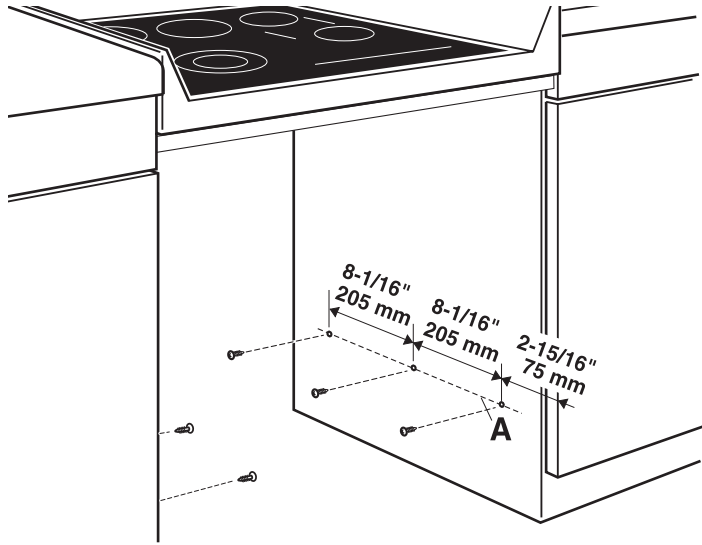
Adapt the pot grid width, if necessary:

If the slide-out grid doesn't fit into the corner because it's too wide or if there's too much space after it's been inserted, the slide-out grid width can be adjusted up to a max. of ± 2 mm ($\pm 1/16$ ") by loosening the fixing screw E. Tighten the screw E again after making the adjustment!

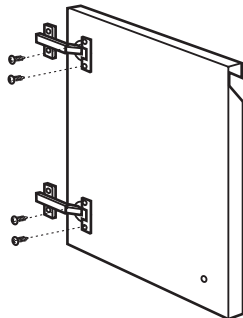


Installing the acc. no. 442

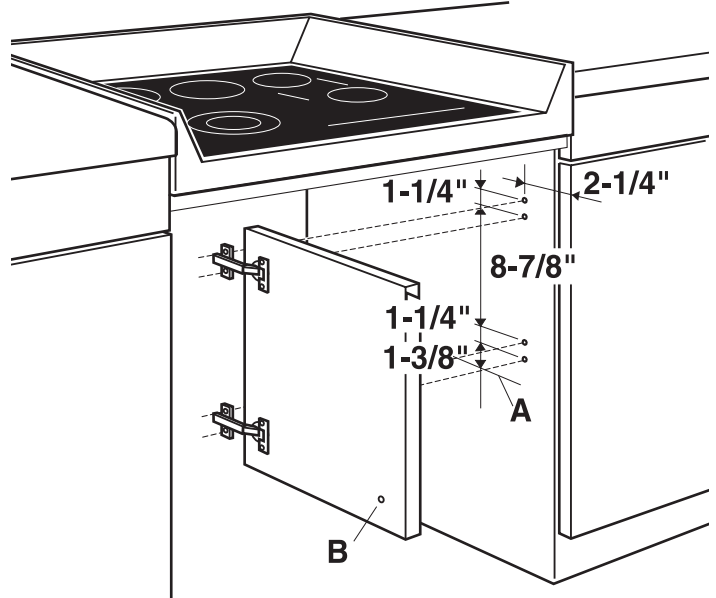
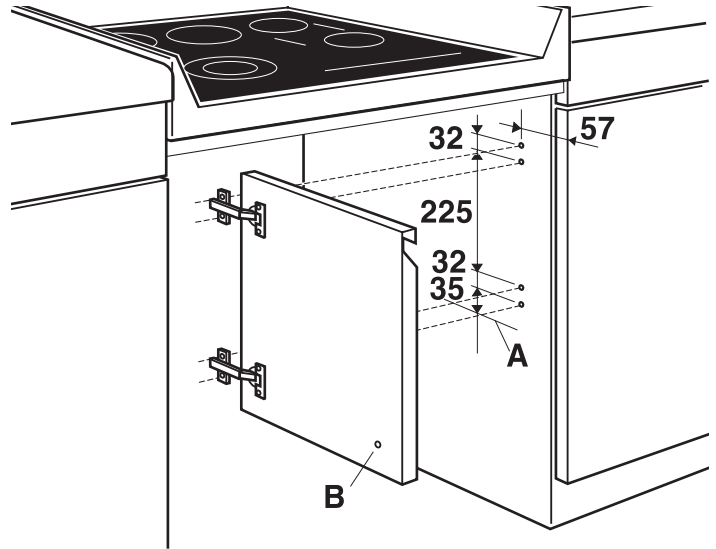
- ☞ Install this accessory only with a stainless steel filler panel (acc.no 454)!
The installation instructions will be provided with the filler panel.
- First, install the stainless steel filler panel (acc. no. 454).
- Mark the screw positions for the cabinet floor and the door hinges.
- A must be the same height as B.**



- When screwing in the screws, leave space for the floor of the cabinet to be inserted.
- Insert the floor from above, align it and adjust it by fastening the front fastening screws.
- Fasten the hinges to the revolving doors.



- Fasten the the revolving doors according to the above illustration.



KÜPPERSBUSCH

112 N. East Street, Suite C

Tampa, Florida 33602

Telephone: 813-229-7096 Fax: 813-229-0982

Customer Care line: 1 - 800 - 459 - 0844

www.kuppersbuschusa.com

KÜPPERSBUSCH is a brand of Teka USA, Inc.

Küppersbusch

THE HEART OF A GOOD KITCHEN