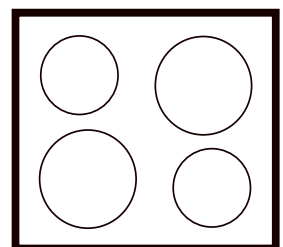


# Installation instructions

Important - Save for the local electrical inspector's use.

EKWE / EKWH

---





## For your information...

Be sure to read the information in this manual carefully before you install the honeycombs.

Please keep this manual in a safe place and pass it on to future owners for their information and safety.

**The following symbols are used in this operating manual:**

 The warning triangle will alert you about possible health risks or things that can cause potential damage to your appliance.

 You'll find useful hints and information when you see this symbol.

## Warranty

This warranty is extended to the original purchaser and succeeding owners for products purchased for ordinary home use. It does not cover its use in a commercial situation. Should the appliance be sold by the original purchaser during the warranty period, the new owner will continue to be protected until the expiration date of the original purchaser's warranty period. Save your dated receipt or other evidence of the installation/occupancy date. Proof of original purchase date is needed to obtain service under warranty. The warranty applies even if the owner should move during the warranty period.

KÜPPERSBUSCH does not assume any responsibility for consequential or incidental damages. This warranty provides you with certain legal rights. You may also have other rights which may vary from state to state.

### What Is Covered

For one full year from the date of the original purchase, we will provide parts, service and labor in your home to repair or replace any part of the cook top that fails because of a defect in materials or workmanship. This service is provided free of charge. All warranty service will be provided by our authorized Customer Care professionals during normal business hours.

### What Isn't Covered

1. Service by an unauthorized agency will not be reimbursed. Likewise, the warranty doesn't cover any damage or repairs due to service performed by an unauthorized agency, or by the use of unauthorized parts.
2. Service visits to teach you how to use the appliance.
3. Service visits to correct the installation. You are responsible for providing electrical wiring and other connecting facilities.
4. Reset circuit breakers or replace home fuses.
5. Damage resulting from accident, alteration, misuse, improper installation, abuse or installation not in accordance with local electrical codes, or improper storage of the appliance.
6. Repairs due to other than normal household use.

## Disposing of the packaging and the old appliance

Be sure to dispose of the transport packaging properly. Disposal should not have a negative impact on the environment. Recycling the packaging saves raw materials and reduces the amount of waste.

Be sure to dispose of your old appliance properly, as well. Even if it can no longer be used, it still contains useful materials. Before discarding an old appliance, disconnect the power cord to prevent it from becoming a hazard.

## Contents

<b>Safety instructions</b> . . . . .	<b>3</b>
<b>General</b> . . . . .	<b>3</b>
<b>Installation conditions</b> . . . . .	<b>3</b>
<b>Dimensions and distances</b> . . . . .	<b>4</b>
<b>An overview of the honeycomb dimensions</b> . . . . .	<b>5</b>
Cooking unit EKWH 320.14 / 320.18 / 320.18 Z	
Control unit EKWE 320.W / S	
<b>Installing the honeycombs/honeycomb cooking units</b> <b>6</b>	
Instructions for installing the honeycombs	
Measuring and marking out the worktop cut-outs	
Marking out the cut-out	
Cut-out in worktops made of solid surface	
Cut-out in stone worktops	
<b>Electrical connection</b> . . . . .	<b>11</b>
Connecting the honeycomb cooking units to the control honeycomb and to the power module	
<b>Programming the control honeycomb in accordance with the cooking zone layout</b> . . . . .	<b>13</b>

For technical information and/or replacement parts, please contact the **Küppersbusch Customer Care line** at **1-800-459-0844**

For the most efficient assistance, please have the Model and Serial numbers for the appliance available.

# Safety instructions

- Turn off the power source before installing the honeycomb cooktop.
- Do not operate the appliance until it has been properly installed within cabinetry or into an opening in the countertop!
- Only qualified personnel should perform installations and repairs on electrical appliances. Do not repair or replace any part of the appliance unless specifically recommended in this manual. Do not put your safety at risk.
- The glass ceramic surface is very durable and can easily withstand light to medium blows and loads distributed over large areas. You should avoid dropping concentrated loads like spice bottles onto the surface. The impact of such items can damage the cooking surface.
- If the cooking surface becomes fractured or cracked, quit using it immediately. Disconnect the power source and call Customer Service.
- The connecting cables must not come in contact with the hot cooking surface.

## General



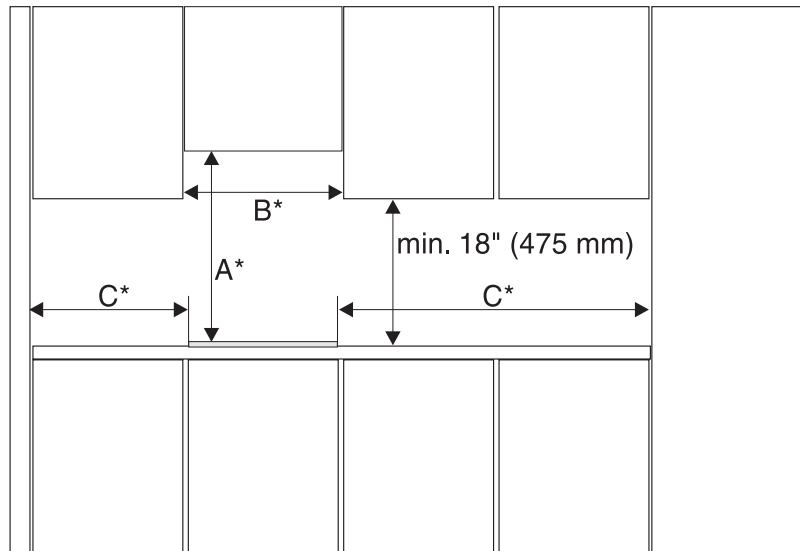
Only KÜPPERSBUSCH built-in cooktops have been designed and tested for installation above a KÜPPERBUSCH built-in oven. No other cooktops may be used above the oven.

- Do not use a screw driver to lift the honeycombs out of the opening or you could damage them. Instead, press the honeycombs out from the bottom of the opening in the countertop or cabinetry.

## Installation conditions

- Make sure the plastic finish or the veneer of the built-in kitchen furniture has a heat-resistant adhesive (160 °C / 320 °F).
- The countertop must be perfectly horizontal and the opening for the honeycomb cooktop must be cleanly cut.
- Make sure there aren't any cross bars underneath the cut-out for the appliance. Make any necessary adjustments.

# Dimensions and distances



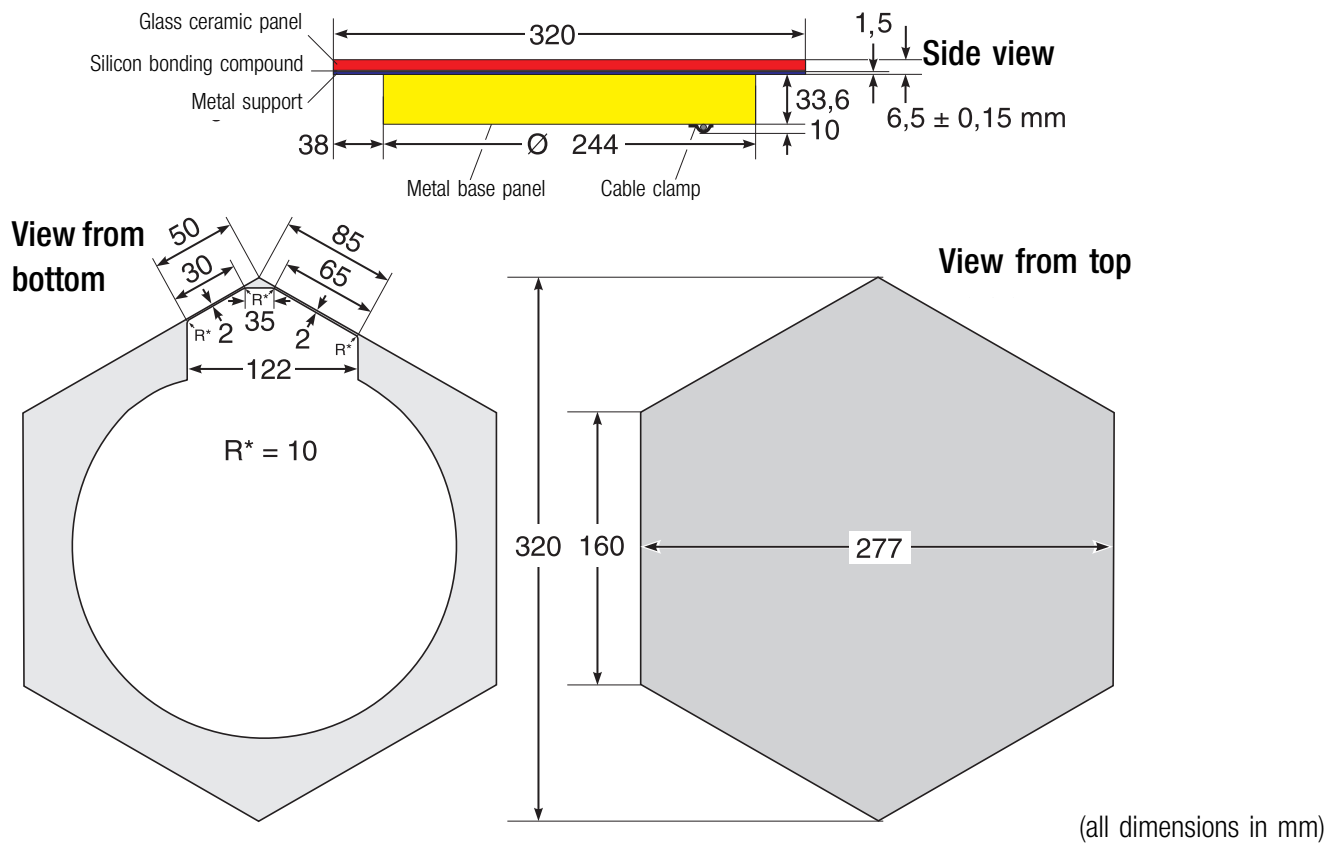
**Concerning A\*:** A = 30 inches minimum clearance between the top of the cooking surface and the bottom of an unprotected wood or metal cabinet or A = 24 inches minimum when bottom of wood or metal cabinet is protected by not less than 1/4-inch-thick flame-retardant millboard covered with not less than No. 28 MSG sheet steel, 0.015-inch-thick stainless steel, 0.024-inch-thick aluminium, or 0.020-inch-thick copper. Hoods above the cook top should be at least 650 mm (26") away from the cook top.

**Concerning B\*:** Minimum distance corresponds to the width of the appliance. To eliminate the risk of burns or fire by reaching over heated surface units, cabinet storage space located above the surface units should be avoided. If cabinet storage is to be provided, the risk can be reduced by installing a range hood that projects horizontally a minimum of 5 inches beyond the bottom of the cabinets.

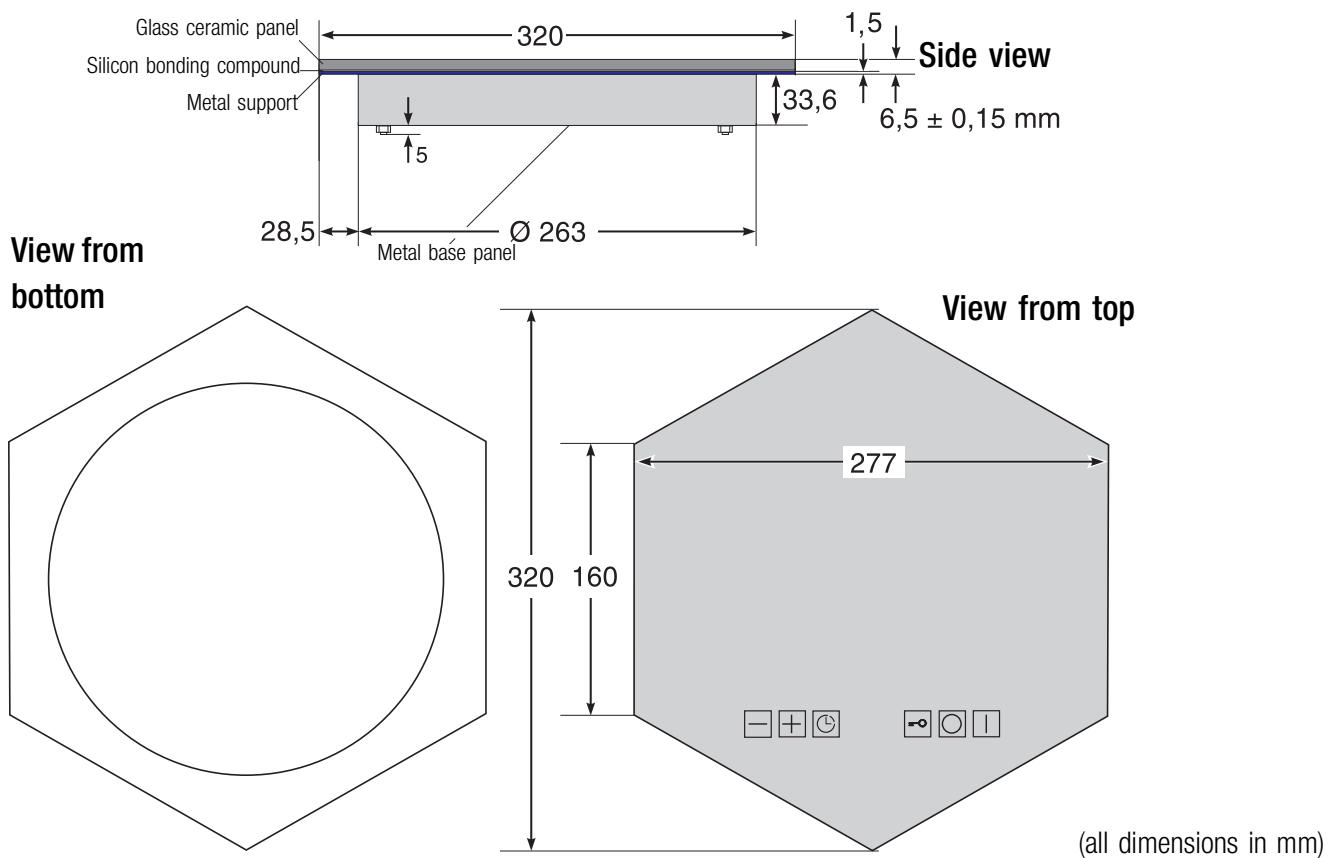
**Concerning C\*:** This appliance can be mounted with two sides to a wall or a cabinet side with a distance of at least 40 mm (1-9/16"). The third side may only be positioned next to an appliance of equal height. We recommend a horizontal distance between the appliance and mounted cabinets of at least 300 mm (12") for ergonomical reasons.

# An overview of the honeycomb dimensions

Cooking unit EKWH 320.14 / 320.18 / 320.18 Z



Control unit EKWE 320.W / S



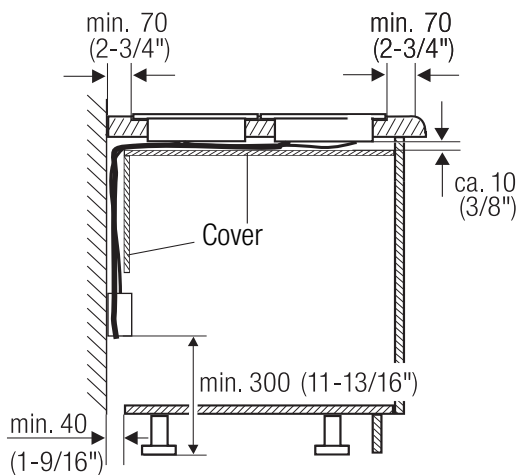
# Installing the honeycombs/honeycomb cooking units

## Instructions for installing the honeycombs



Please note that the Küppersbusch Honeycomb Cooktops are recommended only for installation into stone and certain solid surface worktops which have a heat resistance in excess of (160 °C / 320 °F).

- Installation, connection and assembly of the honeycombs as well as the installation of the worktop with the honeycomb cooktop may only be carried out by a qualified technician.
- Please observe the respective instructions for the individual steps. Damage to the worktop or to the honeycomb cooktop may result in the case of failure to observe the instructions.
- Make sure that the worktop is perfectly horizontal!
- Take care when installing! Do not place or drop any sharp or pointed tools (screwdrivers, etc.) onto the glass surfaces!
- Any lateral bars under the worktop cut-out for the honeycomb cooktop must be cut back to the size of the cut-out if necessary.
- Please maintain a distance of least 70 mm (2-3/4") to the wall.



- A cover (for example, a 4-5 mm (3/16")-thick multi-layer plate) must be installed under the honeycomb cooktop and at the back panel. This prevents any accidental contact with connection cables and unintentional plug disconnections.

Clearance between the cover and the honeycomb cooktop should be approx. 10 mm (3/8") (see the illustration on the left). The cover may only be removed with of tools.

- When installing the power component, a minimum distance to the ground of 300 mm (11-13/16") is to be observed in accordance with the drawing.
- The rear panels and one side panel of the appliance can be installed on an interior wall of any height. The furniture on the other side of the appliance, however, must be flush with the appliance.
- The plastic coating or veneer must be applied with a heat-resistant adhesive (160 °C / 320 °F). This adhesive prevents the surfaces from warping or working loose. especially on the narrow sides of the fitted cupboards.

## Dimensioned drawings on CD-ROM

Dimensioned drawings of lay-out options for the honeycombs are available from Küppersbusch. The drawings (scale of 1:2 (1/2 size), paper format DIN A0) are available in the graphic formats Windows Metafile (\*.WMF), AutoCAD (\*.DWG) and PostScript (\*.EPS).

## Measuring the cut-out

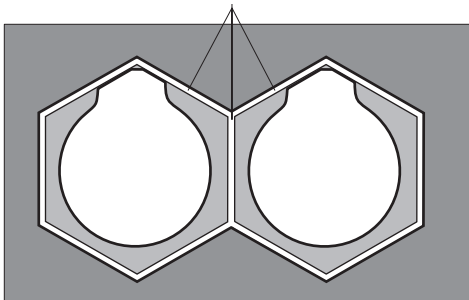
- Please read through the installation instructions carefully prior to commencing with work.
- Joints must be provided for between the honeycomb cooking zones and the worktop, so that the honeycombs can be sealed with a silicon adhesive. These joints may be 1 mm to 3 mm wide.
- Please maintain a distance of least 70 mm (2-3/4") to the wall.
- The following allowances have been made for silicon joints in the dimensioned drawings:
  - 1 mm joint width between the honeycomb cooking zones
  - 2 mm joint width between the honeycomb cooktop and the worktop

The cut-out results from the layout of the honeycomb cooking zones.

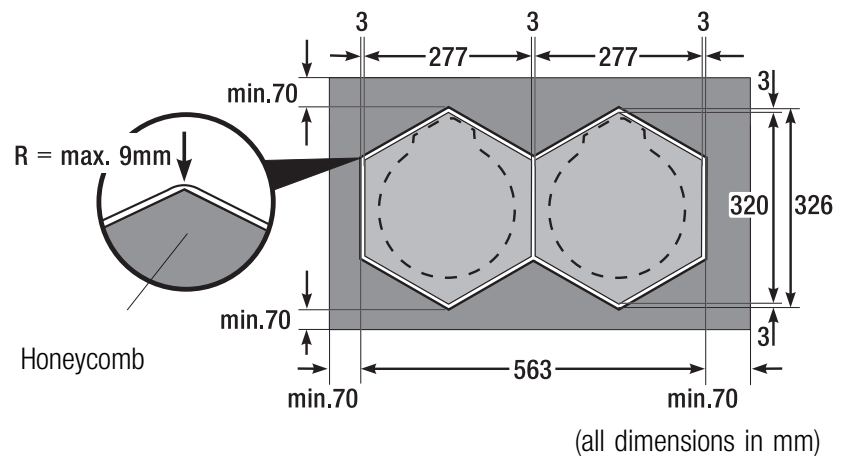
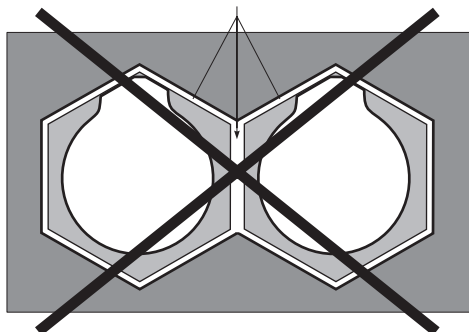
## An example of dimensions of the honeycomb cooking zone systems

### Dimensions of 2 honeycomb cooking units with a 3 mm joint:

Correct: Allow an extra 1-3 mm for the silicon seal

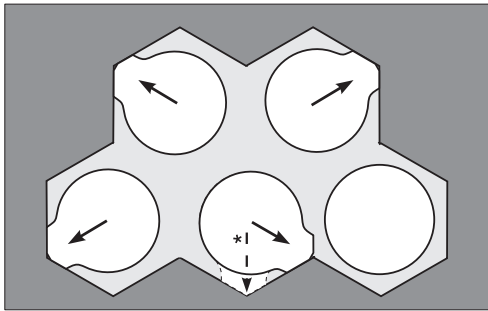


Incorrect: Allow an extra 1-3 mm round each honeycomb



The joint may be 1–3 mm wide. The dimensions of the joint are added to the dimensions of the honeycomb. **The joint between two honeycomb cooking units must be of the same width!**

## Marking out the cut-out



\* Only permissible for worktops with a depth of at least 650 mm (25-9/16").

- Draw the installation dimensions in accordance with your calculations.
- Draw the cut-outs for the bottom pans (white areas) in accordance with the drawing on the left.

The openings for the heater current should face **outwards** (see arrows) in order to have the widest possible frames. If these openings face towards the inside the frame width will be reduced, thus jeopardizing the stability of the worktop.

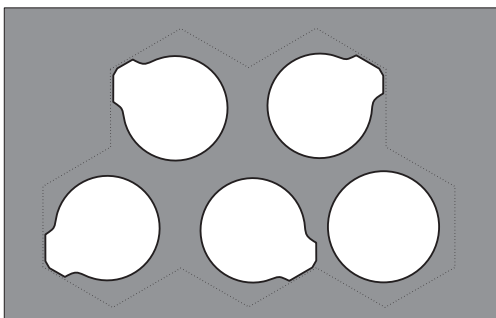
\* Only permissible for worktops with a depth of at least 650 mm (25-9/16"). For the EKWE 320 control element, no opening, only a round cut-out for the bottom pan has been provided for.

## Cut-out in worktops made of solid surface



When selecting a solid surface worktop for your Küppersbusch Honeycomb Cooktop, please note that some solid surface manufacturers such as Corain® do not offer a warranty on their product if a flush fitting cooktop of any manufacturer is installed.

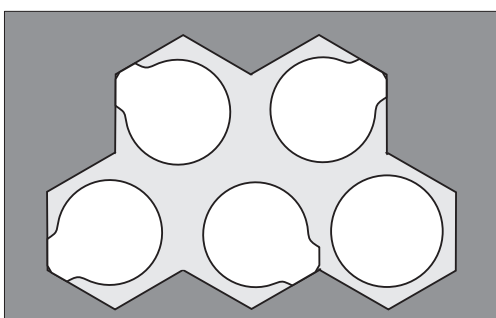
### Bottom pan cut-out



The worktop is cut right out for the cut-outs of the bottom pans, since these elements protrude underneath the worktop.

- Make the cut-outs for the bottom pans of the honeycomb cooking zones.

### Trimming the cut-out for the honeycombs



- In the case of solid surface worktops it is absolutely essential to smoothen the edges, since microcracking may result in tears in the solid surface worktop.

In the second stage the cut-out for the hexagonal honeycomb cooking zones (installation area) is trimmed. The minimal requirement for this step is a routing machine with a guide.

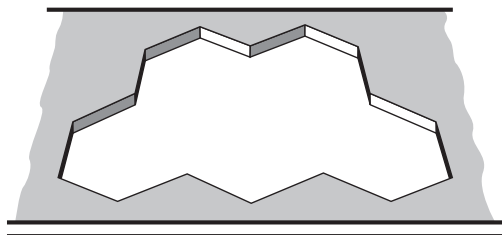
In the case of solid surface worktops the hexagonal cut-out must be at least 5.5 mm deep. Here the honeycomb cooktop will protrude by 1 mm and will thus protect the surface of the worktop from unintended contact with the base of a hot pan.

- Trimming the cut-out for the honeycombs (including the joints).
- Deburring and smoothening of all of the milling edges

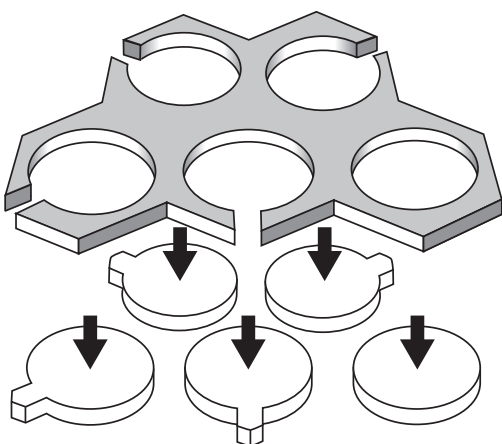
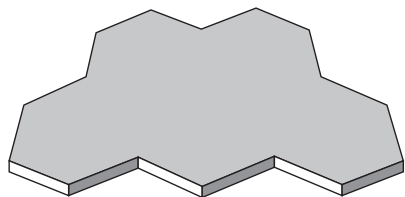
## Cut-out in stone worktops

The cut-out can be made as for worktops made of solid surface. (Trimming the cut-out for the honeycomb cooking zones) See "Cutout in worktops made of solid surface".

### Cutting out the installation area and the openings

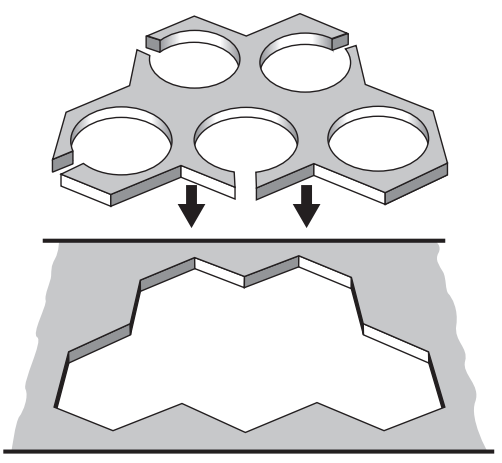


- Firstly cut out the installation area (with joints) from the worktop in one piece.



- Cut the openings for the bottom pans of the honeycombs from the piece which has been cut out.

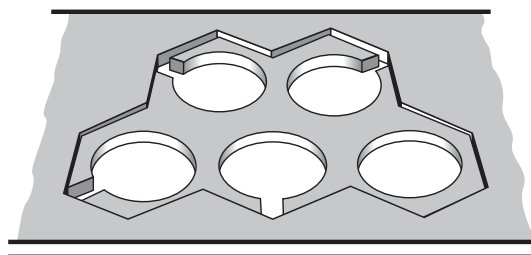
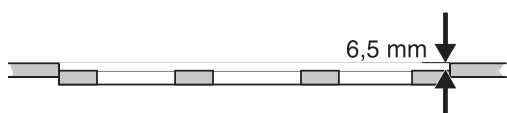
### Replacing the piece cut out into the worktop



Since stone worktops are not sensitive to heat, installation of honeycomb cooktops into the worktop can be flush.

- Glue the piece cut out and processed as above 6.5 mm deeper into the worktop.

**The adhesive used to do so must be resistant to temperatures exceeding 160 °C (320 °F).**



## Notes

- In order to avoid any damage to the worktop or the honeycomb cooktop, it is essential to permanently glue the worktop to the honeycomb units so that the system is absolutely watertight.
- In order to glue the honeycomb units you will need the **resistive primer 101** and the heat-resistant and moisture-resistant **silicon adhesive Pactan 7056** produced by **Heidelberger Baustofftechnik**, which is also available from the KÜPPERSBUSCH spare parts service. **It is absolutely necessary to observe the remarks concerning these two products. You will find them enclosed with processing indications!**

There you will also find a calculation formula for the hardening of the silicone adhesive. **Do not operate the cooking zone before the hardening process is over as the silicone adhesive can be damaged!**



- The parts to be glued together must be dry and absolutely free from grease.
- Only glue the honeycombs on their outer edges!
- With stone worktops installation is to be flush, with heat-sensitive worktops (e.g. solid surface) the honeycomb cooktop must protrude about 1 mm.
- On installation, please ensure that you install the honeycombs in accordance with the connection instructions enclosed so that the layout of the honeycombs complies with the layout of the control honeycomb.
- Never place the cooktop with the glass ceramic surface unprotected on the worktop or the floor. Dirt (metal chips, small pieces of stone etc.) can cause scratches in the surface of the glass ceramic cooktop. Please always place it on cardboard or a wool rug.

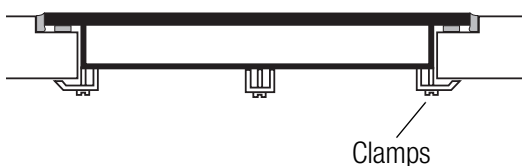
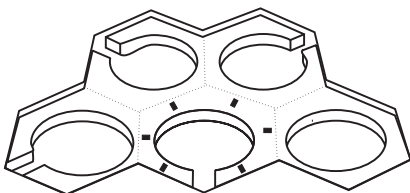
## Procedure

- Coating with resistive primer: coat the contact surfaces of the honeycombs and all of the cut-out edges of the worktop to approx 1 mm over the cut-out edges with the resistive primer.

**Supports which are extremely porous (such as chip boards):** coat thickly with a brush.

**Supports which are not very porous (such as the contact surfaces of the honeycombs, marble or granite surfaces):** coat thinly with felt.

- **Important:** The primer must be left to breathe for approx. 30 minutes after being applied.
- For each honeycomb place six of the rubber clamps enclosed onto the opening and insert the honeycomb.
- Use the clamps to align the honeycombs horizontally in respect of the other honeycombs and the worktop. If necessary use more rubber clamps or a similar support.
- Fill the gap between the honeycomb units and the worktop with Pactan.
- Smooth the joint with a spatula and water containing a little washing-up liquid.
- Loosen the clamps slightly once the silicone adhesive has hardened.



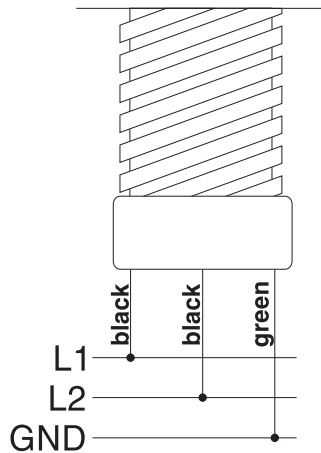
On being used the honeycomb units may no longer be clamped since this may result in stress cracking. The clamps are only for adjusting during assembly or for fastening purposes if the whole worktop, with honeycombs installed, is to be transported.

# Electrical connection

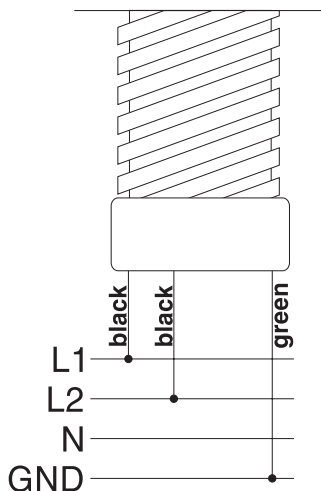


When installing the power module, a minimum distance to the ground of 300 mm (11-13/16") is to be observed in accordance with the drawing on page 6.

- Observe all guidelines and regulations from your local electric company.
- You should not be able to touch insulated components when operating the appliance.
- The power supply should be a 240 volts system, 2-wire with ground, or a 120/240 volts system, 3-wire with ground.



**Electrical diagram for a 240 volts system, 2-wire with ground:**

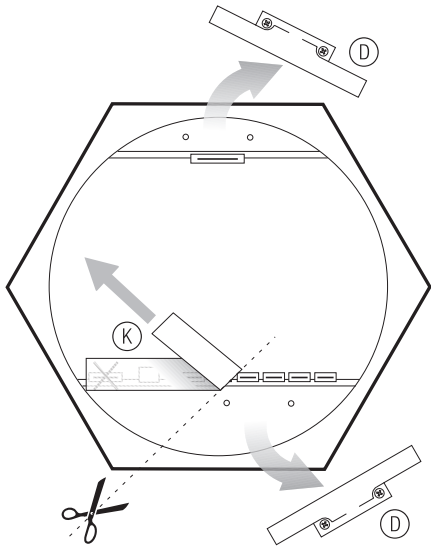


**Electrical diagram for a 120 / 240 volts system, 3-wire with ground:**

- Be sure to install an appropriate conduit box (not furnished) to connect the cook top. Only a professional electrician or certified technician should install a conduit-box or replace the connection cable.
- Don't shorten the conduit to facilitate service! The conduit should be routed to permit the removal of the cooking surface.
- A circuit breaker or fuse is recommend, having amperage as noted in this chapter. Fuse both sides of the line!
- The conduit-box can be mounted under the countertop below the cooking surface or in a side cabinet in the wall. Do not mount it above the cooking surface!
- Be sure the conduit and the conduit box cannot be touched or damaged after installation!

Connection	to a conduit-box (not supplied accessory!)
Total rating	variable, depending on the number and the type of cooking units connected. Maximal 10.8 kW, fuse current: 40 A
Electrical connection	240 V, 60 Hz

# Connecting the honeycomb cooking units to the control honeycomb and to the power module

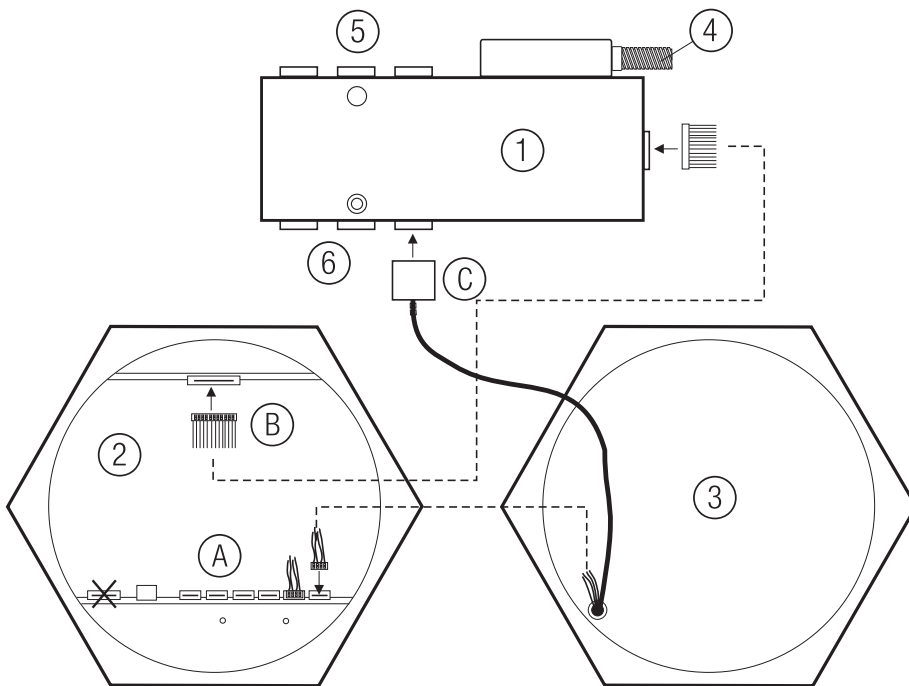


- ⚠ Any superfluous cable must be pulled out from the installation area beneath the honeycomb cooktop.
- ⚠ Only the EKWH 320.14, EKWH 320.18 and EKWH 320.18Z honeycomb cooking units may be connected to the EKWE 320 control honeycomb. A dangerous situation may otherwise arise.

Apart from the first connection socket the sockets for the control honeycomb are covered with adhesive tape (K) from installation side.

- ⚠ The sockets that are not being used must stay covered with adhesive tape.

- Unscrew the steel plate (D).
- Pull off the adhesive tape only from the needed sockets.
- Cut off the drawn off part of adhesive tape.



- ① Power module
- ② Control honeycomb
- ③ Cooking zone
- ④ Mains connection cable
- ⑤ Power connections for single-circuit cooking zones
- ⑥ Power connections for dual-circuit and single-circuit cooking zones

- Insert the plug of the control line (A) of the respective honeycomb into one of the six sockets of the control honeycomb. The lines must point to the middle of the control honeycomb.
- Insert the plug (C) of the power cable into a socket on the power module. Any socket may be used for single-circuit cooking zones, **for dual-circuit cooking zones one of the three sockets suitable for dual-circuit cooking zones on the power module must be used (sockets on the side opposite the mains connection).**
- Connect the control honeycomb and the power module to the trip line (B).
- Screw steel plate (D) back on.
- Connect the power module to a cooker connection socket by means of a mains supply cable.

# Programming the control honeycomb in accordance with the cooking zone layout

Since the control honeycombs can be used for any kind of honeycomb layout, the control honeycomb has to be informed on which cooking zones have actually been installed and on the final layout.

## Activating the programming function

- If necessary, the power supply must be cut off for a short time and then resumed since the programming function is only accessible after a power cut.
- Please wait until “circling zeroes” are indicated.
- Touch the clock and the minus sensor of the minute minder simultaneously for approx. 5 seconds.

“C o d” will appear in the cooking zone displays, and the display of the minute minder will indicate “0”.

- Set “88” with the plus and minus sensors of the minute minder.
- Touch the minute minder clock sensor.  
An acoustic signal will sound as confirmation.

Now all available plus and minus sensors will light up and the dual-zone sensors will flash. “0” is indicated in the LED displays.

## Indicating the honeycomb layout and type of honeycombs

- Test by touching one of the plus sensors which have lit up.

The respective hexagonal surrounding of the plus sensor is activated.

- Touch the minus sensor in this hexagonal surrounding.

The hexagonal surrounding is switched off again. Switching on and off in this manner can be repeated as often as required with any of the surroundings.

- Now show the installation layout of the **honeycomb cooking zones** by activating the respective hexagonal surroundings on the control honeycomb.  
The position of the control honeycomb may not be shown.

- Where dual-circuit honeycombs have been installed, the dual-circuit sensor must also be touched. The symbol now lights up constantly.

## Prior to commencing to the next step, check to ensure that

- the hexagonal surroundings indicated on the control honeycomb fully comply with the installation layout of the **honeycomb cooking zones**.
- the dual-circuit symbol lights up constantly where dual-circuit cooking zones have been installed.
- the dual-circuit symbol flashes where single-circuit cooking zones have been installed.

## Allocating the pan-on detection to the cooking zones

**No pans or any other metal objects may be located on the cooking zone when carrying out the following step since this could result in problems with the pan-on detection.**

- Touch the key sensor to confirm the layout of the cooking zones which has been set.

Now one of the honeycomb touch controls on the control honeycomb will start to flash.

- Place a metal pan on the respective cooking zone for a short time.

The honeycomb touch control on the control honeycomb stops flashing and a number is indicated on the LED display.

The next honeycomb touch control on the control honeycomb will start flashing. The “E” indicated on the LED display is irrelevant.

- Once again place a metal pan on the respective cooking zone for a short time. Repeat this procedure until you have worked through all of the touch controls and none of them flash.

**Note:**

Should, on commencement of allocation, an “E” appear in an LED display other than that of the flashing honeycomb touch control, an error has occurred in the pan detection for this cooking zone. Touching the clock sensor will enable this honeycomb to be skipped when it is the next one to be processed and will still enable configuration to be continued.

### **Allocating power control to the cooking zones**

**No pans or any other metal objects may be located on the cooking zone when carrying out the following step since this could result in problems with the pan-on detection.**

**Since the cooking zones will become hot during the following step, all inflammable objects must be removed. Risk of burning!**

- Touch the key sensor to confirm the assignment of the pan detection function.

One of the cooking zones will begin to heat up. You will recognize this since the cooking zone will glow dark red.

- Once you have recognized this glowing, touch the plus sensor on the control honeycomb for this particular cooking zone. The number which appears on the respective LED display is the number of the plug connection and is of no significance for you.

- To confirm accuracy, touch the clock sensor on the minute minder.

The confirmed cooking zone will stop heating and the next cooking zone will be heated up.

- Touch the respective plus sensor for this cooking zone on the control honeycomb again and confirm by means of the clock sensor. Carry out this procedure six times.

### **Instructions for connecting fewer than 6 cooking zones**

If fewer than 6 cooking zones are connected, connections on the power module will remain unused. Of course no cooking zone will glow should these be activated by the electronics system. So if no cooking zone lights up this must be acknowledged by touching the clock sensor of the minute minder.

- Once the last assignment has been carried out, confirm by touching the key sensor.

The configuration data will now be stored permanently in the electronics system.

In the event of an error or alterations to the arrangement, the procedure can easily be carried out from the beginning again and the settings altered.

The final step is automatic calibration of the pan-on detection. The LED displays will indicate “**C R L**”.

Once this display has switched off the honeycomb can be used.



**KÜPPERSBUSCH USA**

4920 West Cypress Street,

Tampa, Florida 33607

Telephone: 813-288-8890 Fax: 813-288-8604

**Customer Care line: 1 - 800 - 459 - 0844**

[www.kuppersbuschusa.com](http://www.kuppersbuschusa.com)

KÜPPERSBUSCH IS A BRAND OF TEKA USA, INC.

**Küppersbusch**

THE FUTURE OF COOKING SINCE 1875