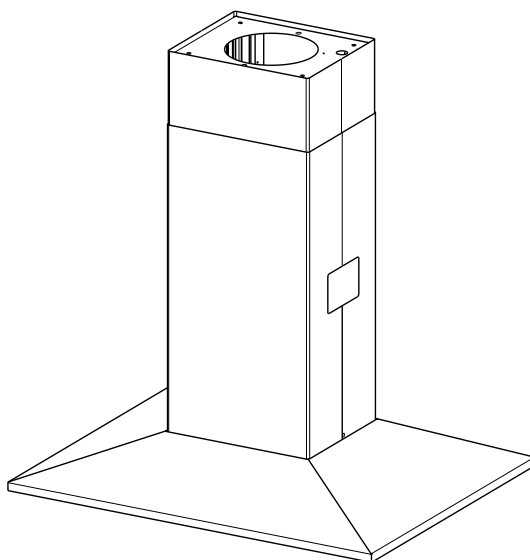


**GB** Instructions Booklet

**FR** Mode d'emploi



***IKD 12250.0***



## READ AND SAVE THESE INSTRUCTIONS

The Installer must leave these instructions with the homeowner.

The homeowner must keep these instructions for future reference and for local electrical inspectors' use.

### READ THESE INSTRUCTIONS BEFORE YOU START INSTALLING THIS RANGEHOOD

**WARNING: - TO REDUCE THE RISK OF A RANGE TOP GREASE FIRE:** Never leave surface units unattended at high settings. Boilovers cause smoking and greasy spillovers that may ignite. Heat oils slowly on low or medium setting. Always turn hood ON when cooking at high heat or when flambeing foods (i.e. Crepes Suzette, Cherries Jubilee, Peppercorn Beef Flambè). Clean ventilating fans frequently. Grease should not be allowed to accumulate on fan or filter. Use proper pan size. Always use cookware appropriate for the size of the surface element.

**WARNING: - TO REDUCE THE RISK OF INJURY TO PERSONS IN THE EVENT OF A RANGE TOP GREASE FIRE, OBSERVE THE FOLLOWING: SMOTHER FLAMES** with a close-fitting lid, cookie sheet, or metal tray, then turn off the burner. **BE CAREFUL TO PREVENT BURNS.** If the flames do not go out immediately **EVACUATE AND CALL THE FIRE DEPARTMENT. NEVER PICK UP A FLAMING PAN** - You may be burned. **DO NOT USE WATER,** including wet dishcloths or towels - a violent steam explosion will result. Use an extinguisher **ONLY** if: 1. You know you have a Class ABC extinguisher, and you already know how to operate it. 2. The fire is small and contained in the area where it started. 3. The fire department is being called. 4. You can fight the fire with your back to an exit.

**ALL WALL AND FLOOR OPENINGS WHERE THE RANGEHOOD IS INSTALLED MUST BE SEALED.**

This rangehood requires at least 24" of clearance between the bottom of the rangehood and the cooking surface or countertop. This minimum clearance may be higher depending on local building code. For example, for gas ranges, a minimum of 30" may be required. The maximum depth of overhead cabinets is 13". Overhead cabinets on both sides of this unit must be a minimum of 18" above the cooking surface or countertop. Consult the cooktop or range installation instructions given by the manufacturer before making any cutouts. **MOBILE HOME INSTALLATION.** The installation of this rangehood must conform to the Manufactured Home Construction and Safety Standards, Title 24 CFR, Part 3280 (formerly Federal Standard for Mobile Home Construction and Safety, Title 24, HUD, Part 280). Four wire power supply must be used and the appliance wiring must be revised. See Electrical Requirements.

### VENTING REQUIREMENTS

Determine which venting method is best for your application. Ductwork can extend either through the wall or the roof. The length of the ductwork and the number of elbows should be kept to a minimum to provide efficient performance. The size of the ductwork should be uniform. Do not install two elbows together. Use duct tape to seal all joints in the ductwork system. Use caulking to seal exterior wall or floor opening around the cap.

**Flexible ductwork is not recommended. Flexible ductwork creates back pressure and air turbulence that greatly reduces performance.**

Make sure there is proper clearance within the wall or floor for exhaust duct before making cutouts. Do not cut a joist or stud unless absolutely necessary. If a joist or stud must be cut, then a supporting frame must be constructed

**WARNING - To Reduce The Risk Of Fire, Use Only Metal Ductwork.**

## WARNING

- Venting system MUST terminate outside the home.
- DO NOT terminate the ductwork in an attic or other enclosed space.
- DO NOT use 4" laundry-type wall caps.
- Flexible-type ductwork is not recommended.
- DO NOT obstruct the flow of combustion and ventilation air.
- Failure to follow venting requirements may result in a fire.

### ELECTRICAL REQUIREMENTS

A 120 volt, 60 Hz AC-only electrical supply is required on a separate 15 amp fused circuit. A time-delay fuse or circuit breaker is recommended. The fuse must be sized per local codes in accordance with the electrical rating of this unit as specified on the serial/rating plate located inside the unit near the field wiring compartment. **THIS UNIT MUST BE CONNECTED WITH COPPER WIRE**

ONLY. Wire sizes must conform to the requirements of the National Electrical Code, ANSI/NFPA 70 - latest edition, and all local codes and ordinances. Wire size and connections must conform with the rating of the appliance. Copies of the standard listed above may be obtained from:

National Fire Protection Association  
Batterymarch Park  
Quincy, Massachusetts 02269

This appliance should be connected directly to the fused disconnect (or circuit breaker) through flexible, armored or nonmetallic sheathed copper cable. Allow some slack in the cable so the appliance can be moved if servicing is ever necessary. A UL Listed, 1/2" conduit connector must be provided at each end of the power supply cable (at the appliance and at the junction box).

When making the electrical connection, cut a 1 1/4" hole in the wall. A hole cut through wood must be sanded until smooth. A hole through metal must have a grommet.

**WARNING - TO REDUCE THE RISK OF FIRE OR ELECTRIC SHOCK, do not use this fan with any solid-state speed control device.**

**WARNING - TO REDUCE THE RISK OF FIRE, ELECTRICAL SHOCK, OR INJURY TO PERSONS, OBSERVE THE FOLLOWING:** Use this unit only in the manner intended by the manufacturer. If you have any questions, contact the manufacturer.

Before servicing or cleaning unit, switch power off at service panel and lock the service disconnecting means to prevent power from being switched on accidentally. When the service disconnecting means cannot be locked, securely fasten a prominent warning device, such as a tag, to the service panel.

**CAUTION:** For General Ventilating Use Only. Do Not Use To Exhaust Hazardous or Explosive Materials and Vapors.

**WARNING - TO REDUCE THE RISK OF FIRE, ELECTRICAL SHOCK, OR INJURY TO PERSONS, OBSERVE THE FOLLOWING:** Installation Work And Electrical Wiring Must Be

Done By Qualified Person(s) In Accordance With All Applicable Codes And Standards, Including Fire-Rated Construction.

Sufficient air is needed for proper combustion and exhausting of gases through the flue (chimney) of fuel burning equipment to prevent backdrafting. Follow the heating equipment manufacturer's guideline and safety standards such as those published by the National Fire Protection Association (NFPA), and the American Society for Heating, Refrigeration and Air Conditioning Engineers (ASHRAE), and the local code authorities.

When cutting or drilling into wall or ceiling, do not damage electrical wiring and other hidden utilities.

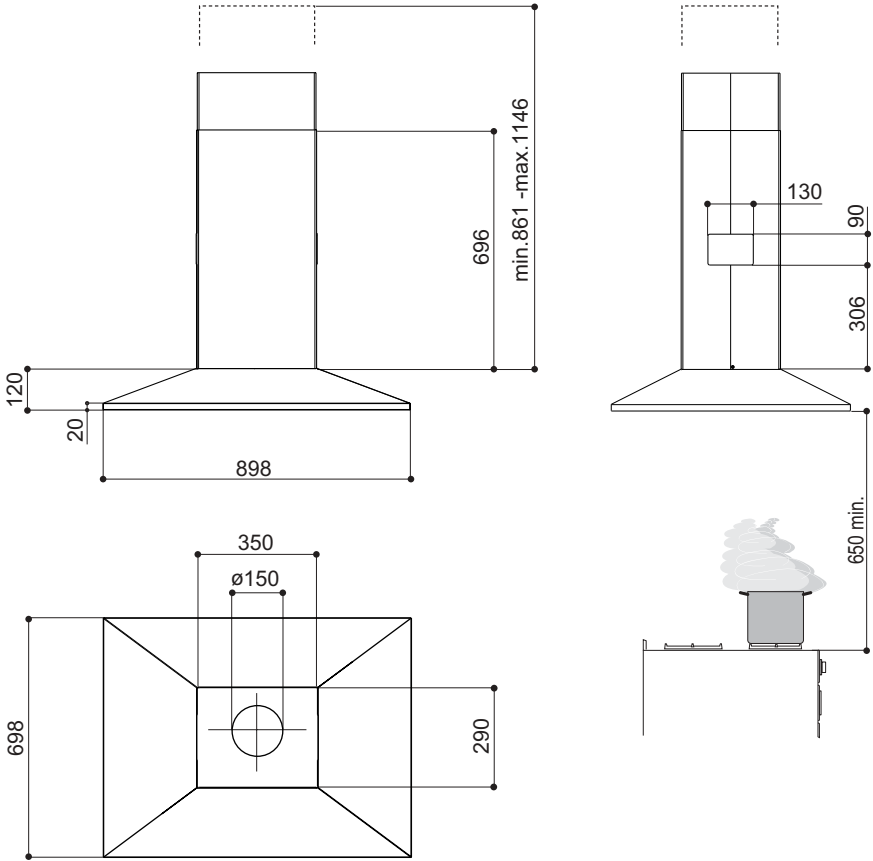
Ducted fans must always be vented to the outdoors.

## **W A R N I N G**

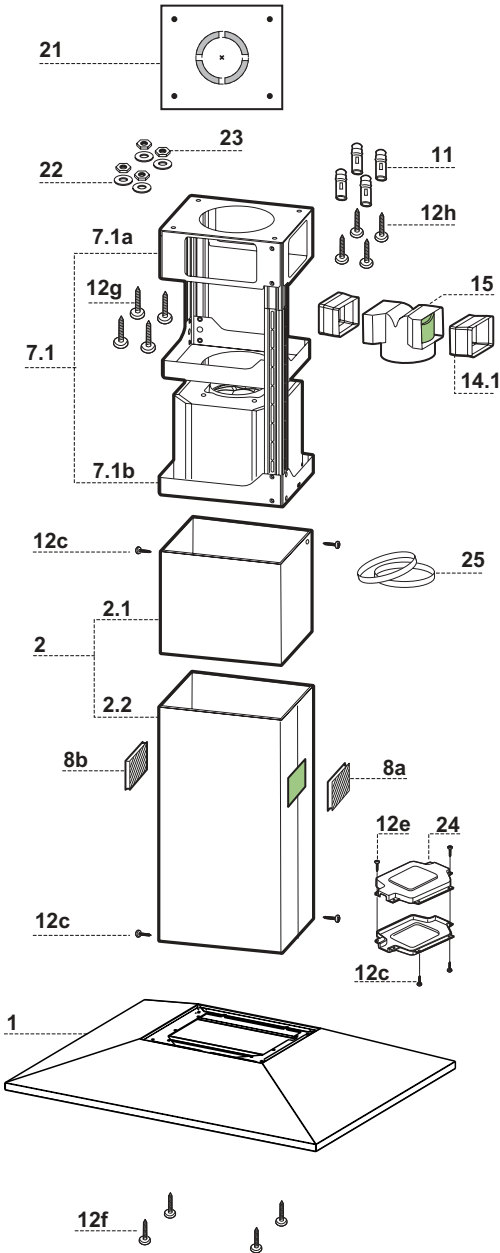
- Electrical ground is required on this rangehood.
- If cold water pipe is interrupted by plastic, nonmetallic gaskets or other materials, DO NOT use for grounding.
- DO NOT ground to a gas pipe.
- DO NOT have a fuse in the neutral or grounding circuit. A fuse in the neutral or grounding circuit could result in electrical shock.
- Check with a qualified electrician if you are in doubt as to whether the rangehood is properly grounded.
- Failure to follow electrical requirements may result in a fire.

# CHARACTERISTICS

## Dimensions



# Components



Ref.	Q.ty	Product Components
1	1	Hood Body, complete with: Controls, Light, Blower, Filters
2	1	Telescopic Chimney comprising:
2.1	1	Upper Section
2.2	1	Lower Section
7.1	1	Telescopic frame complete with extractor, consisting of:
7.1a	1	Upper frame
7.1b	1	Lower frame
8a	1	Right Air Outlet Grill
8b	1	Left Air Outlet Grill
14.1	1	Air Outlet Connection Extension
15	1	Air Outlet Connection
24	1	Junction box
25	2	Pipe clamps

Ref.	Q.ty	Installation Components
11	4	Wall Plugs $\varnothing 10$
12c	6	Screws 2,9 x 9,5
12e	2	Screws 2,9 x 6,5
12f	4	Screws M6 x 10
12g	4	Screws M6 x 80
12h	4	Screws 5,2 x 70
21	1	Drilling template
22	4	6.4 mm int. dia washers
23	4	M6 nuts

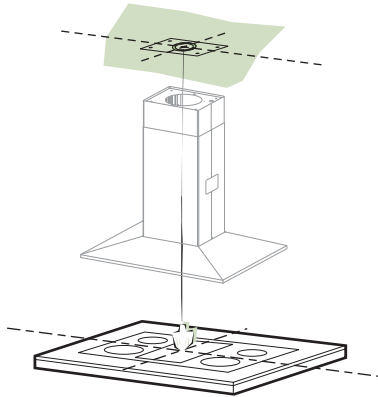
Q.ty	Documentation
1	Instruction Manual

# INSTALLATION

---

## Drilling the Ceiling/shelf and fixing the frame

---



### DRILLING THE CEILING/SHELF

- Use a plumb line to mark the centre of the hob on the ceiling/support shelf.
- Place the drilling template **21** provided on the ceiling/support shelf, making sure that the template is in the correct position by lining up the axes of the template with those of the hob.
- Mark the centres of the holes in the template.
- Drill the holes at the points marked:
  - For concrete ceilings, drill for plugs appropriate to the screw size.
  - For hollow brick ceilings with wall thickness of 20 mm: drill  $\varnothing$  10 mm (immediately insert the Dowels **11** supplied).
  - For wooden beam ceilings, drill according to the wood screws used.
  - For wooden shelf, drill  $\varnothing$  7 mm.
  - For the power supply cable feed, drill  $\varnothing$  10 mm.
  - For the air outlet (Ducted Version), drill according to the diameter of the external air exhaust duct connection.
- Insert two screws of the following type, crossing them and leaving 4-5 mm from the ceiling:
  - For concrete ceilings, use the appropriate plugs for the screw size (not provided).
  - For Cavity ceiling with inner space, with wall thickness of approx. 20 mm, Screws **12h**, supplied.
  - For wooden beam ceilings, use 4 wood screws (not provided).
  - For wooden shelf, use 4 screws **12g** with washers **22** and nuts **23**, provided.

## FIXING THE FRAME

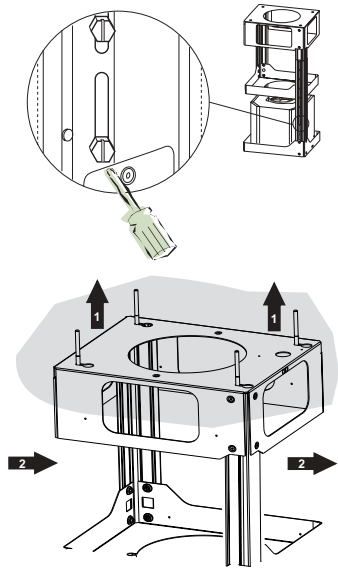
- Loosen the two screws fastening the lower chimney and remove this from the lower frame.
- Loosen the two screws fastening the upper chimney and remove this from the upper frame.

If you wish to adjust the height of the frame, proceed as follows:

- Unfasten the eight metric screws joining the two columns, located at the sides of the frame.
- Adjust the frame to the height required, then replace all the screws removed as above.
- Insert the upper chimney stack from above, and leave it running free on the frame.
- Lift up the frame, fit the frame slots onto the screws up to the slot end positions.
- Tighten the two screws and fasten the other two screws provided with the hood.

Before tightening the screws completely it is possible to adjust the frame by turning it. Make sure that the screws do not come out of their seats in the slotted holes.

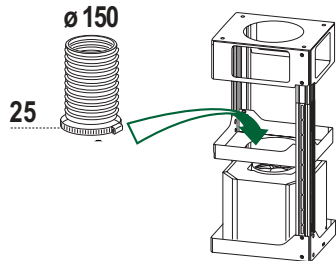
- The frame mountings must be secure to withstand the weight of the hood and any stresses caused by the occasional side thrust applied to the device. On completion, check that the base is stable, even if the frame is subjected to bending.
- In all cases where the ceiling is not strong enough at the suspension point, the installer must provide strengthening using suitable plates and backing pieces anchored to the structurally sound parts. Connections



## DUCTED VERSION AIR EXHAUST SYSTEM

When installing the ducted version, connect the hood to the chimney using either a flexible or rigid pipe  $\varnothing$  150 mm, the choice of which is left to the installer.

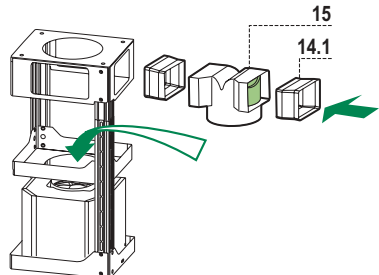
- Fix the pipe using the pipe clamps **25** provided.
- Remove any activated charcoal filters.



## RECIRCULATION VERSION AIR OUTLET

- Push fit connection **15** onto the air outlet.
- Insert the connection extension pieces laterally **14.1** in connection **15**.

Should the central reinforcing piece of the frame somehow interfere the chimney air outlet grille, it is possible to unscrew it and to place it in another screw hole set.

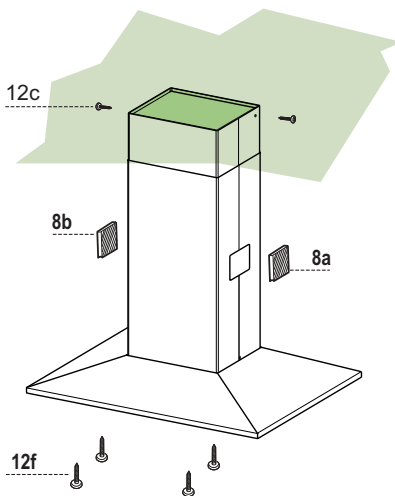


## Flue assembly - Mounting the hood body

- Position the upper chimney section and fix the upper part to the frame using the 2 screws **12c** (2,9 x 9,5) provided.
- Similarly, position the lower chimney section and fix the lower part to the frame using the 2 screws **12c** (2,9 x 9,5) provided.

### Recirculation version

- Make sure that the outlet of the extension pieces **14.1** is horizontally and vertically aligned with the chimney outlets.
- If this is not the case, remove the lower chimney section and adjust the position by either reversing the connection extension pieces **14.1**, then reassemble as described previously.
- Fit the directional grids **8a** - **8b** in their housings making sure that the directional symbols are towards the top. Also make sure that they are correctly inserted in the connection extension pieces **14.1**.

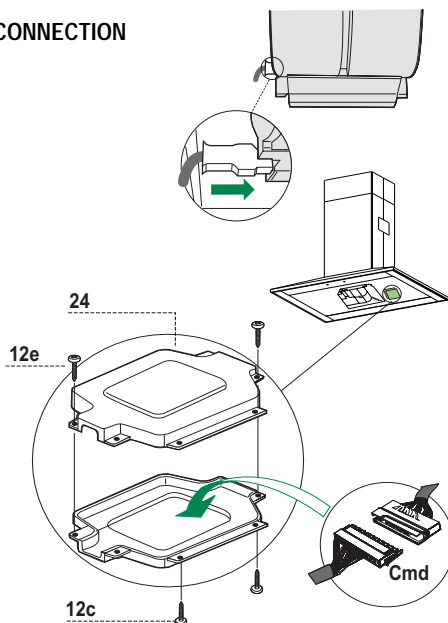


Before fixing the hood body to the frame:

- Remove the grease filters from the hood body.
- Remove any activated charcoal filters.
- From below, use the 4 screws **12f** (M6 x 10) provided to fix the hood body to the frame.

### ELECTRICAL CONNECTION

- Connect the hood to the mains through a two-pole switch having a contact gap of at least 3 mm.
- Remove the grease filters (see paragraph Maintenance) being sure that the connector of the feeding cable is correctly inserted in the socket placed on the side of the fan
- Connect the control connector **Cmd**.
- Place the connector in the junction box **24** and close it using the 2 screws **12e** (2,9 x 9,5) provided.
- Fix the junction box to the hood body using the 2 screws **12c** (2,9 x 6,5) provided.
- For the recirculation version, fit the activated carbon odour filter.
- Replace the grease filters.

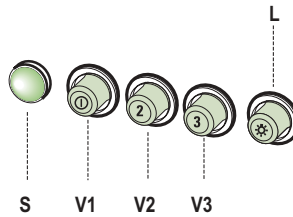


# USE

---

## Control panel

---



---

<b>L</b>	Light	Switches the lighting system on and off.
<b>S</b>	Led	Motor running led.
<b>V1</b>	Motor	Switches the extractor motor on and off at low speed. Used to provide a continuous and silent air change in the presence of light cooking vapours.
<b>V2</b>	Speed	Medium speed, suitable for most operating conditions given the optimum treated air flow/noise level ratio.
<b>V3</b>	Speed	Maximum speed, used for eliminating the highest cooking vapour emission, including long periods.

---

# MAINTENANCE

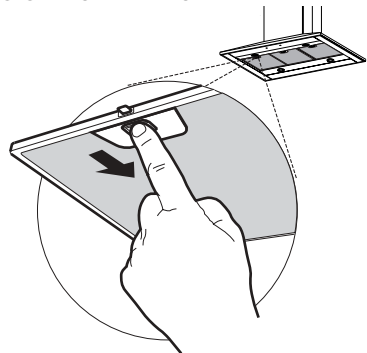
---

## Grease filters

---

### CLEANING METAL SELF- SUPPORTING GREASE FILTERS

- The filters must be cleaned every two months of operation, or more frequently with heavy usage, and can be washed in a dishwasher.
- Remove the filters by pushing them towards the back of the group and pulling down at the same time.
- Wash the filters, taking care not to bend them. Allow them to dry before refitting.
- When refitting the filters, make sure that the handle is visible on the outside.

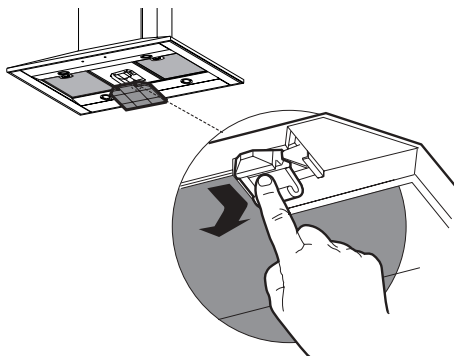


## Activated charcoal filter (Recirculation version)

---

### REPLACING THE ACTIVATED CHARCOAL FILTER

- This filter is not washable and cannot be regenerated, and must be replaced approximately every four months of operation, or more frequently with heavy usage.
- Remove the metal grease filters.
- Remove the saturated activated carbon filter by releasing the fixing hooks.
- Fit the new filter by hooking it into its seating.
- Replace the metal grease filters.

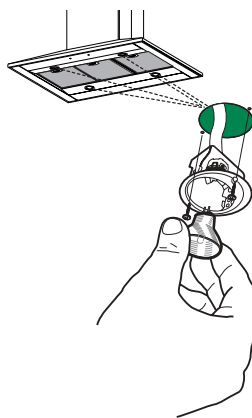


## Lighting

---

### LIGHT REPLACEMENT

- **20 W halogen light.**
- Remove the 2 Screws fixing the Lighting support, and pull it out of from the Hood.
- Extract the Lamp from the Support.
- Replace with another of the same type, making sure that the two pins are properly inserted in the lamp holder socket holes.
- Replace the Support, fixing it in place with the two Screws removed as above.



### FUSE REPLACEMENT

#### **Fuse: model 5x20 5A time-delay**

- Remove the filters.
- Remove the Screws fixing the fuseholder box.
- Open the fuseholder (bayonet fixing).
- Replace the fuse with another of the same type.
- Replace the fuseholder box and the filters.