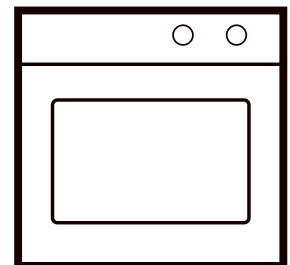


Installation instructions

Important - Save for the local electrical inspector's use.

EEB 9800.0

EEB 9600.0




For your information...

Be sure to read the information in this manual carefully before you install the oven.

Please keep this manual in a safe place and pass it on to future owners for their information and safety.

The following symbols are used in this operating manual:

 The warning triangle will alert you about possible health risks or things that can cause potential damage to your appliance.

 You'll find useful hints and information when you see this symbol.

Warranty

This warranty is extended to the original purchaser and succeeding owners for products purchased for ordinary home use. It does not cover its use in commercial situation. Should the appliance be sold by the original purchaser during the warranty period, the new owner continued to be protected until the expiration date of the original purchaser's warranty period. Save your dated receipt or other evidence of the installation/occupancy date. Proof of original purchase date is needed to obtain service under warranty. The warranty applies even if the owner should move during the warranty period.

Küppersbusch does not assume any responsibility for consequential or incidental damages. This warranty provides you with certain legal rights. You may also have other rights which may vary from state to state.

What Is Covered

For one full year from the date of the original purchase, we will provide parts, service and labor in your home to repair or replace any part of the cook top that fails because of a defect in materials or workmanship. This service is provided free of charge. All warranty service will be provided by an authorized technician during normal business hours.

What Isn't Covered

- Service by an unauthorized agency will not be reimbursed. Likewise, the warranty doesn't cover any damage or repairs due to service performed by an unauthorized agency, or by the use of unauthorized parts.
- Service visits to teach you how to use the appliance.
- Service visits to correct the installation. You are responsible for providing electrical wiring and other connecting facilities.
- Reset circuit breakers or replace home fuses.
- Damage resulting from accident, alteration, misuse, improper installation, abuse or installation not in accordance with local electrical codes, or improper storage of the appliance.
- Repairs due to other than normal household use.

Disposing of the packaging and the old appliance

Be sure to dispose of the transport packaging properly. Disposal should not have a negative impact on the environment. Recycling the packaging saves raw materials and reduces the amount of waste.

Be sure to dispose of your old appliance properly, as well. Even if it can no longer be used, it still contains useful materials. Before discarding an old appliance, disconnect the power cord and remove the door to prevent it from becoming a hazard.

Contents

General	3
Installation conditions	3
Installation in a high cupboard	3
Installation under a countertop	3
Options for mounting under a countertop	
Installation under the Cook-Center KC 906.2 E	4
Electrical supply	5
Installation in kitchen furniture	5

For technical information and/or replacement parts, please contact the **Küppersbusch Customer Care line** at **1-800-459-0844**

For the most efficient assistance, please have the Model and Serial numbers for the appliance available.

General

- ⚠ Turn off the power source before installing the oven.
- ⚠ **WARNING!** In case the oven is not installed and secured in accordance with these installation instructions, there is a risk of tipover! Check after installation that the fastening screws are securely tightened and that the appliance cannot be moved.

- ⚠ Only qualified personnel should perform installations and repairs on electrical appliances. Do not repair or replace any part of the appliance unless specifically recommended in this manual. Do not put your safety at risk.
- ⚠ Only KÜPPERBUSCH built-in cooktops have been designed and tested for installation above a KÜPPERBUSCH built-in oven. No other cooktops may be used above the oven.

Installation conditions

The oven must be placed on a board that can withstand 72.5 kg/160 pounds or more. The oven should fit snugly against the side walls and the frame should overlap them.

WARNING! The cabinet or adjacent side walls must be secured so the installed oven can't tilt.

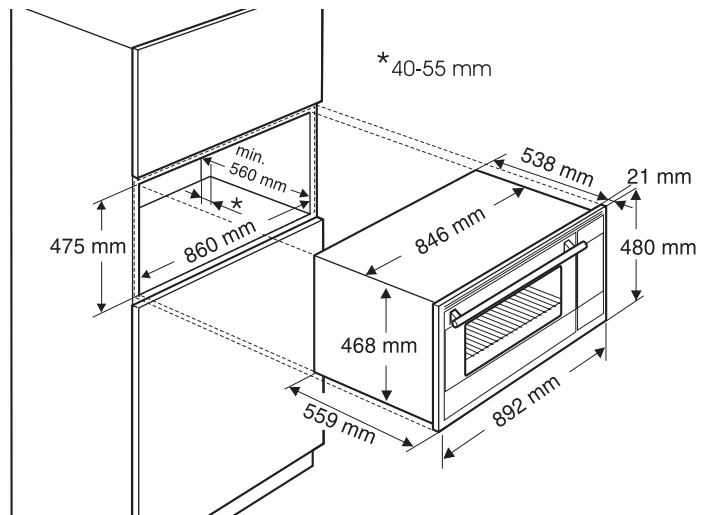
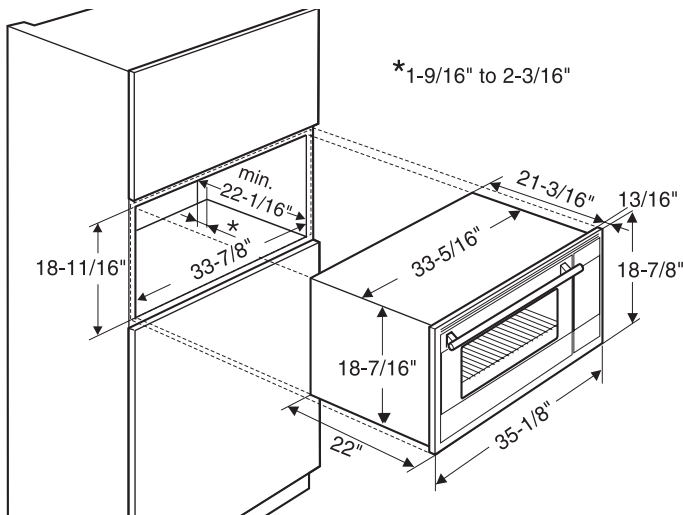
Make sure there's an opening in the rear section, in order to provide sufficient air for cooling the oven. If there isn't an opening, cut a hole with at least 300 cm²/45 in² depth in one of the adjacent surfaces, preferably in the bottom board or top cover.

Make sure all components surrounding the oven can resist temperatures of at least 100 °C/210 °F. These includes varnishes, edge bands, plastic surfaces, adhesives and paints. The adjacent cabinet fronts should be able to resist temperature up to 70 °C/160 °F.

To eliminate the risk of burns or fire by reaching over heated surface units, cabinet storage space located above the surface units should be avoided. If cabinet storage is to be provided, the risk can be reduced by installing a range hood that projects horizontally a minimum of 5 inches beyond the bottom of the cabinets.

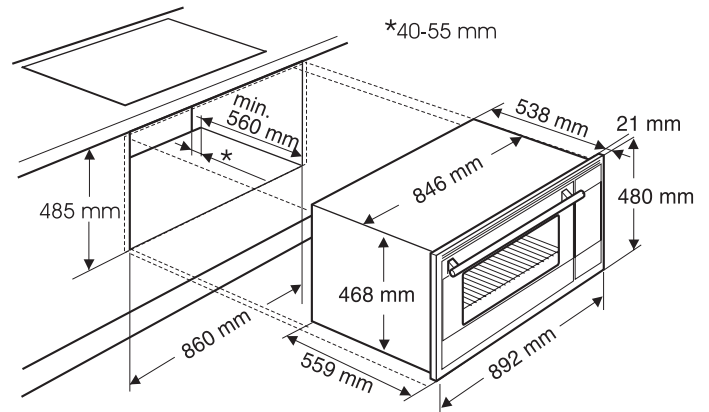
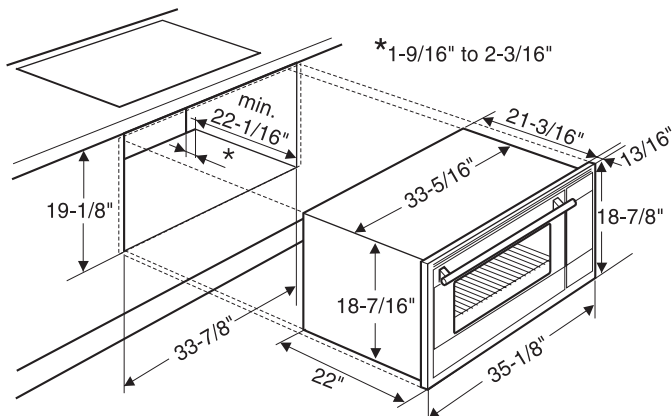
Installation in a high cupboard

The frame of the oven should overlap the boundary at the bottom and on both sides.



Installation under a countertop

The frame of the oven overlaps the niche boundary at the bottom and on both sides.

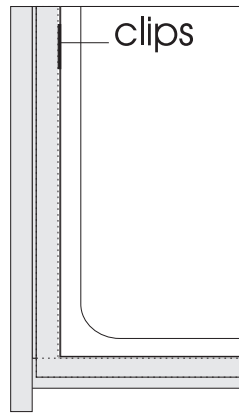


Options for mounting under a countertop

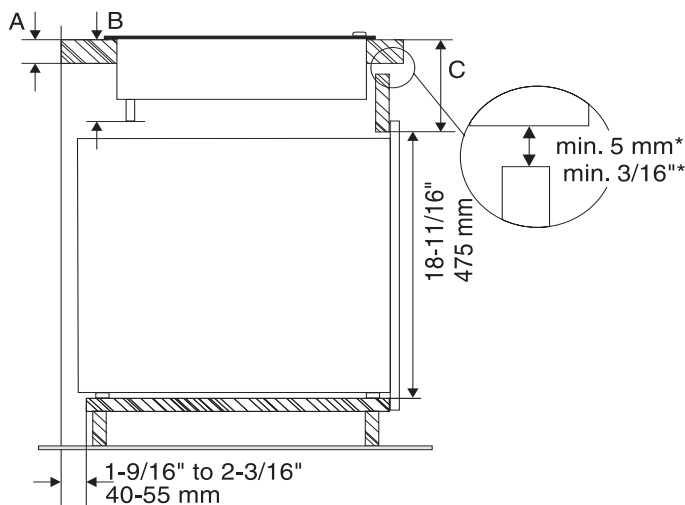
Option 1: in a cupboard on a board.

Option 2: between two cupboards on a secured board.

Boards (approximately 19 mm/ 3/4" thick) must be attached to the adjacent cabinets on the right and left, so the oven can be clipped in at the sides.



The following KÜPPERSBUSCH built-in cooktops may be installed above the oven:



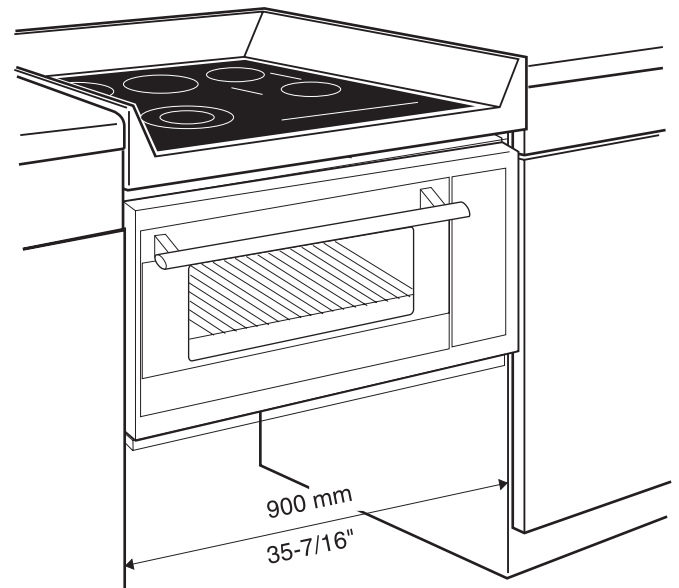
Model:	„A“	„B“	„C“
EKE 854.1 EKE 854.2 EKE 804.2 EKE 604.2	30-50 mm 1-1/8 to 2"	103 mm	4-1/16" ≥ 103 mm ≥ 4-1/16"
EGS 304.0*		97 mm	≥ 97 mm ≥ 3-13/16"
EKS 304.1*		85 mm	≥ 85 mm ≥ 3-3/8"
EKS 604.2 EKS 804.2		103 mm	≥ 103 mm ≥ 4-1/16"

* The gap between the countertop and the front panel is not necessary for the models EGS 304.2 and EKS 304.1.

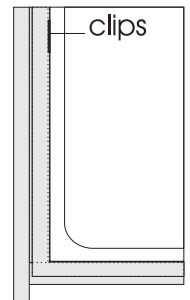
We recommend you to place the gap directly below the countertop, because it's not so visible if it is between the oven and the front panel.

Look for the recess size and installation specifics for the cooktop in the installation instructions for the cooktop.

Installation under the Cook-Center KC 906.2 E

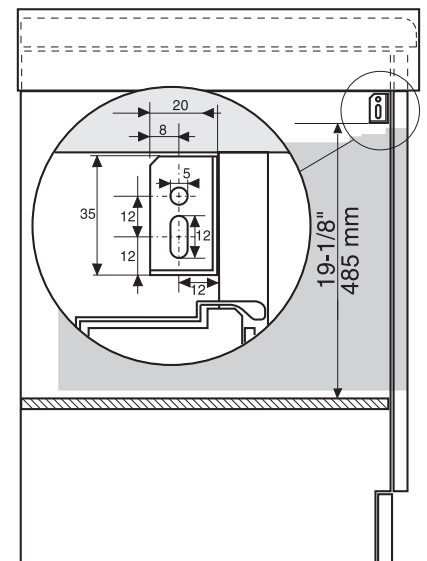


The oven must be positioned between two cabinets on a secured shelf. Shelves (approximately 19mm/ 9/16" thick) must be attached to the adjacent cabinets on both sides so the oven can be clipped in at the sides.



Please review the installation instructions for the model KC 906.2 for the position of the Cook-Center.

Be sure to install a stainless steel filler panel (acc. No. 454) between the Cook-Center and the oven. The stainless steel filler panel is required and sold separately.



Electrical supply

⚠ The installation or laying of a conduit box or the replacement of the connection cable may only be performed by a qualified electrician in compliance with all regulations.

Conduit box

Do not install the conduit box in the installation area or above the countertop. Attach it to the side, underneath on the wall or in a high cabinet under the installation surface.

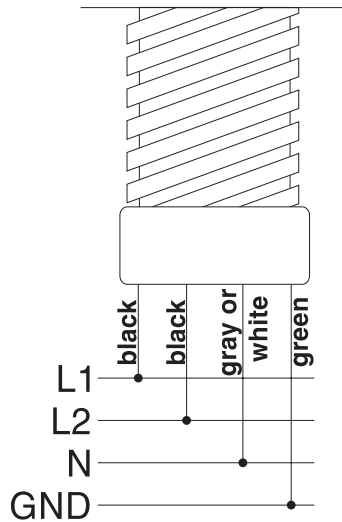
Provide a hole in the wall or bottom so a cable can go to the conduit box.

Electrical supply

The power supply should be a 120/240 volts system, 3-wire with ground.

Electrical diagram

for a 120 / 240 volts system,
3-wire with ground:



Install a suitable conduit box (not furnished) to connect the oven.

Don't shorten the conduit. The conduit should be routed to allow the removal of the oven.

Installation, electrical connections and grounding must comply with all standards.

■ The conduit-box must be protected by a circuit breaker or fuse, having amperage as noted in this chapter.

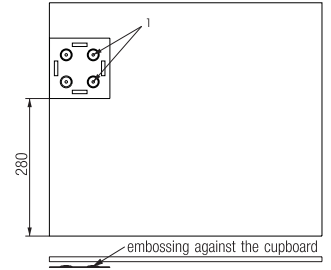
Connected load 240 V, 60 Hz, 3.6 kW, fuse current: 15 A

– Connect the cable to the conduit box.

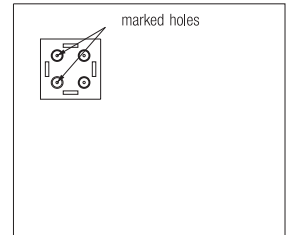
Installation in kitchen furniture

Screw the provided clips to both sides of the appliance, using the holding plates mounted in the cabinet. The holding plates are supplied, as well. Install them on both inside cabinet sides before installing the appliance. See illustrations below.

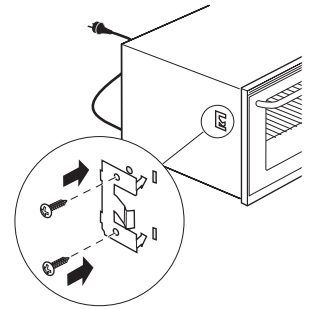
- Place the holding plate at a distance of 280 mm/11" from the bottom cupboard edge with the raised elements towards the cupboard and mark and drill the rear holes (1).



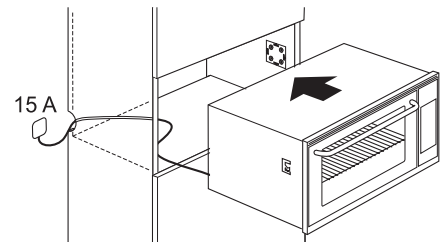
- Move the holding plate so that the front holes lie over the drill holes.
- Attach the holding plate to the cupboard with the screws enclosed.



- Screw the clips firmly to the side walls.



- Insert the appliance into the cabinet space until it fits. Don't pinch the appliance connection cable in the process! The connection cable shouldn't touch the back of the appliance.



KÜPPERSBUSCH USA

4920 W. Cypress Street, Suite 106

Tampa, Florida 33607

Telephone: 800-459-0844 Fax: 813-288-8604

Customer Care line: 1 - 800 - 459 - 0844

www.kuppersbuschusa.com

KÜPPERSBUSCH USA is a division of Teka USA

Küppersbusch

EXTRAORDINARY KITCHENS BY DESIGN